

The Leaning Tower of Pisa

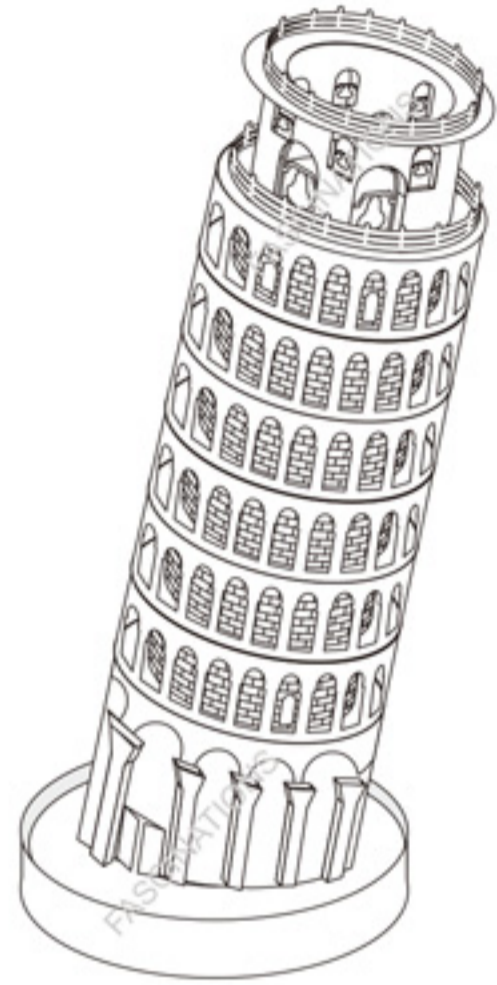
ICONX
3D METAL MODEL KITS



It is highly recommended that you visit www.fascinations.com/iconx360/icx015 to see the completed model before assembling your own

FASCINATIONS, INC.
Seattle, Washington, USA

ICX015

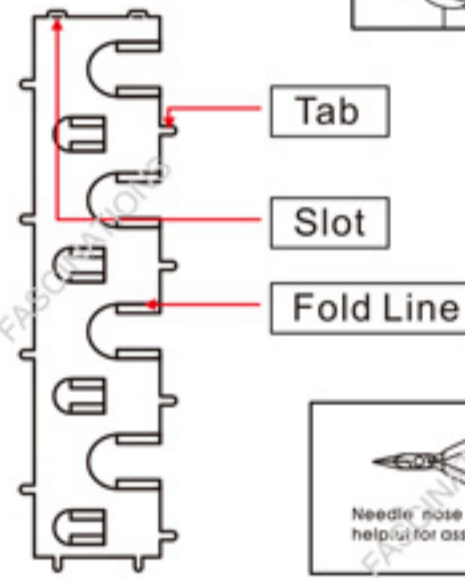
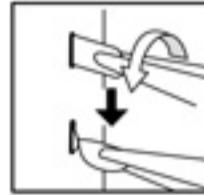


TO CREATE THE BEST CONNECTIONS

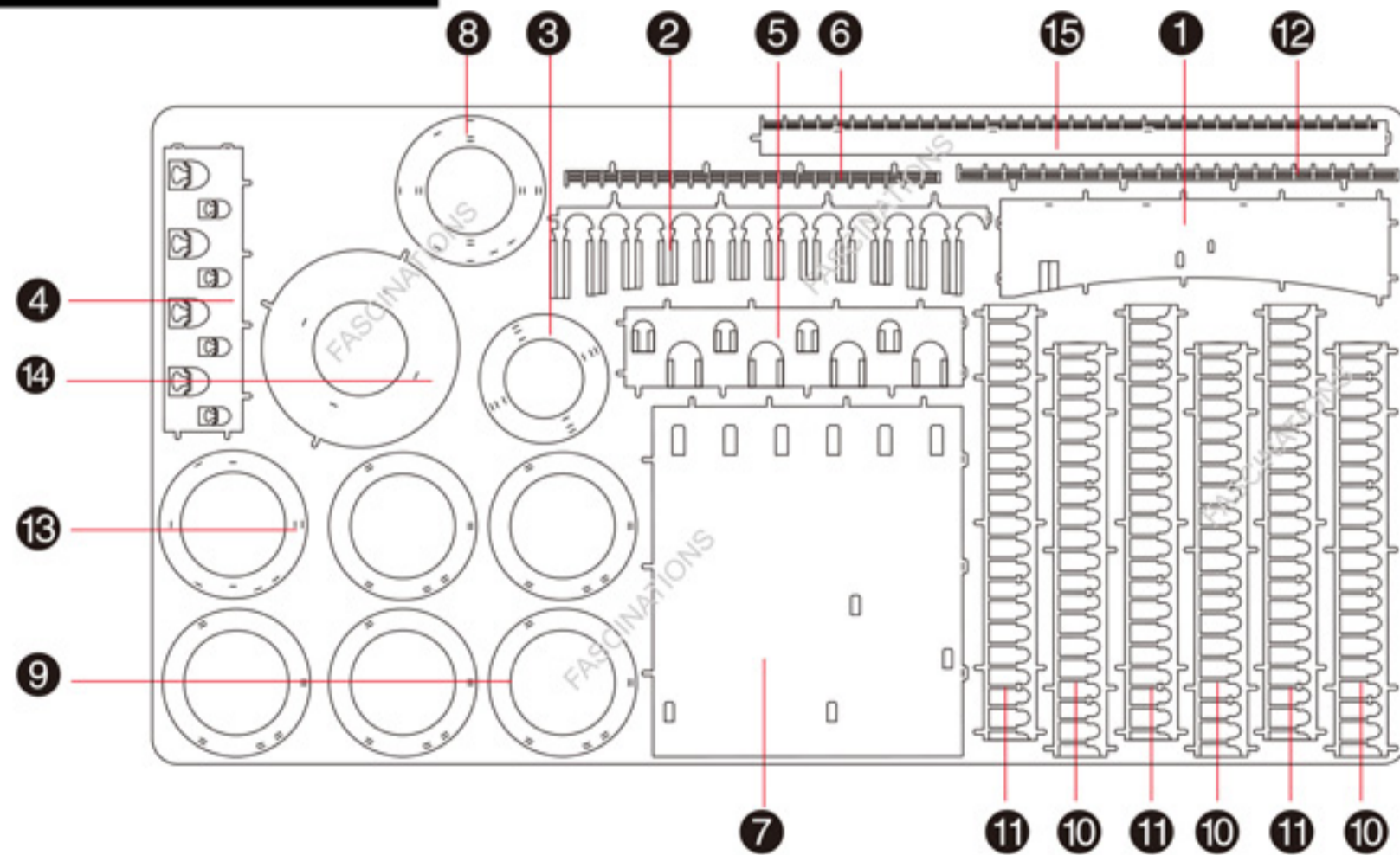
● Insert tab into slot and bend 90 degrees



▲ Insert tab into slot and twist 90 degrees



METAL SHEET

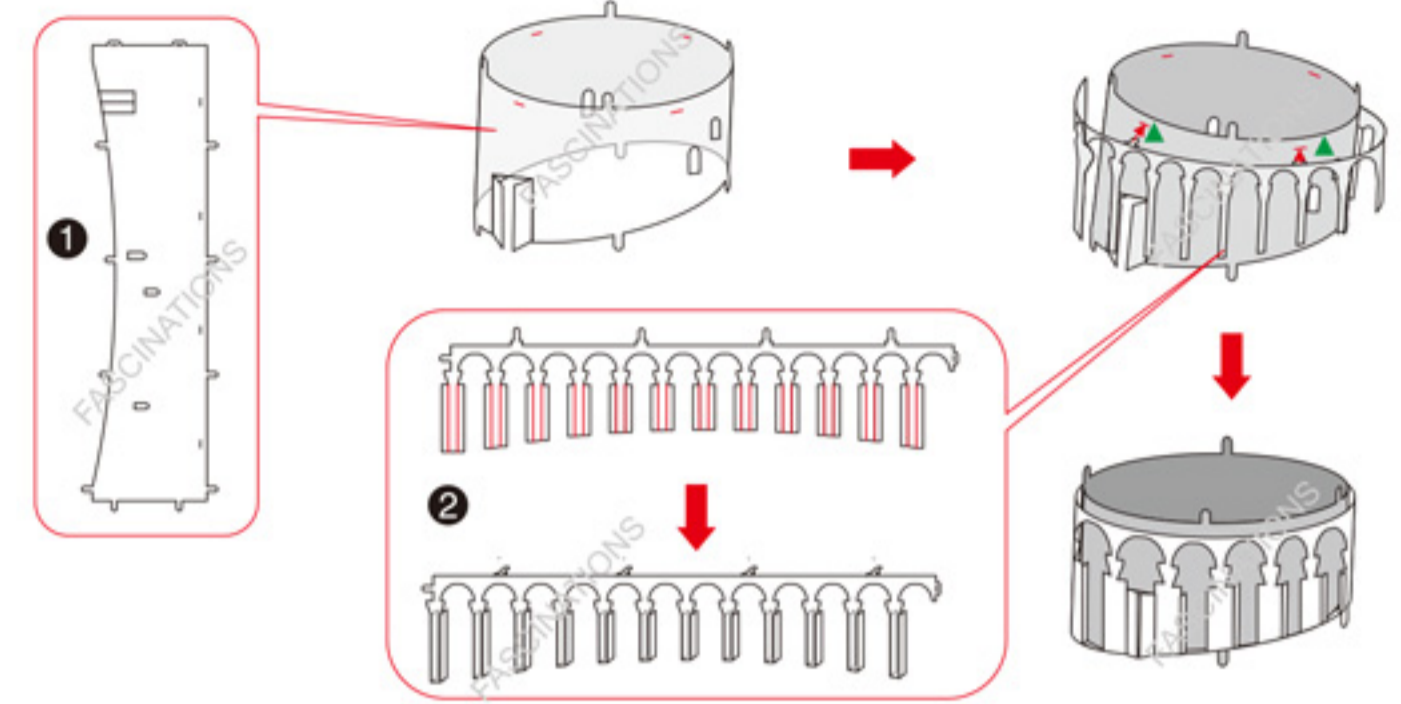


In order to avoid possible injury from sharp edges, please carefully discard the metal sheet after parts have been removed.

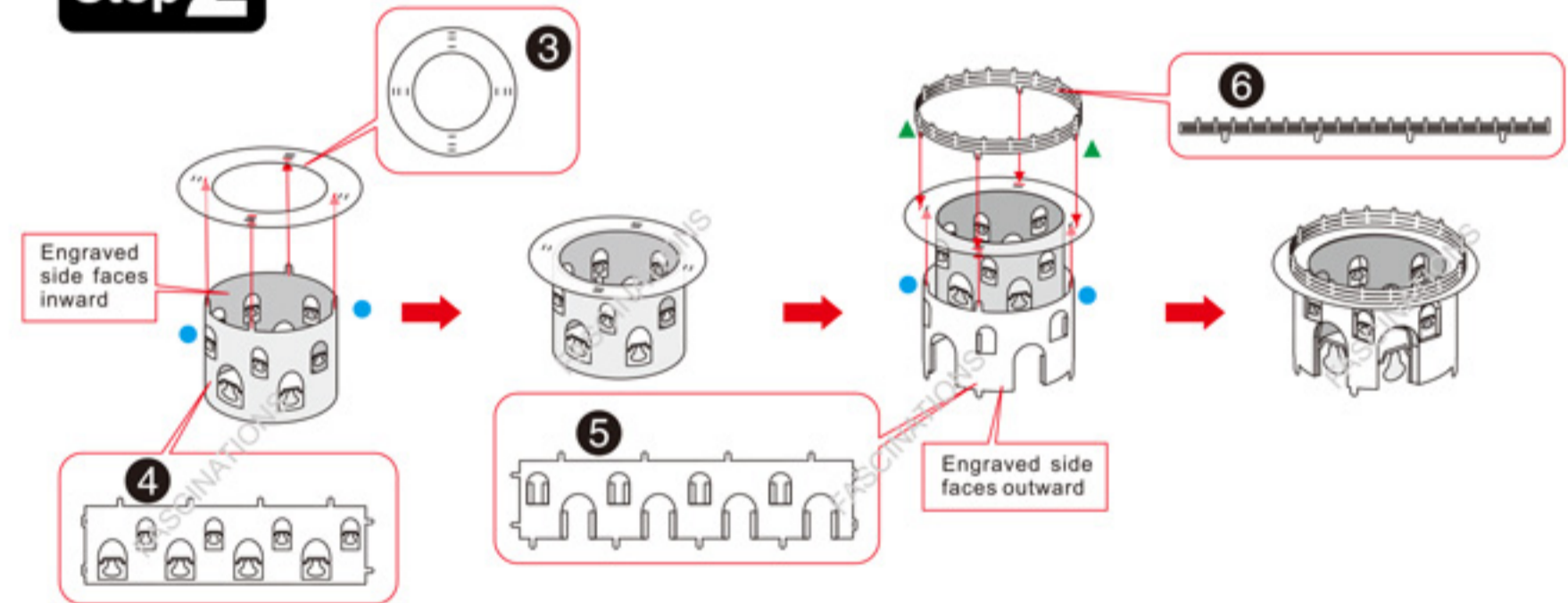
Go to www.fascinations.com/iconx360/icx015 to see the zoomable PDF version of this instruction sheet

ASSEMBLY STEPS

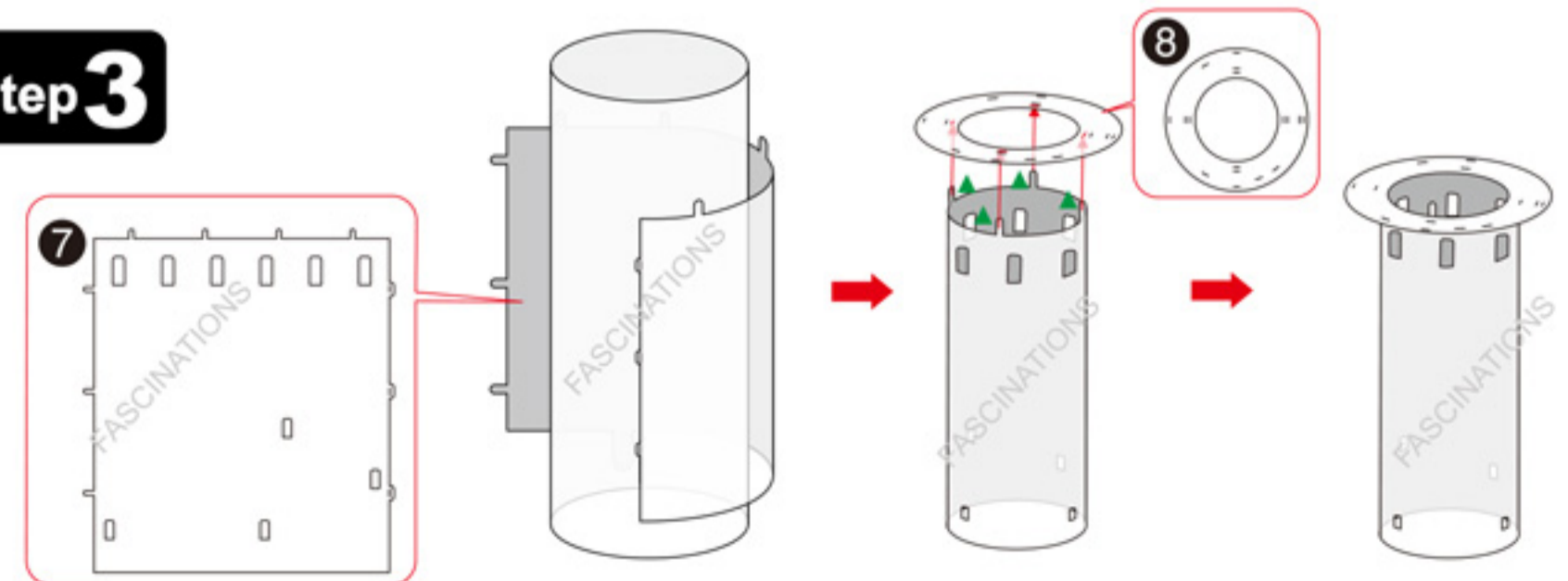
Step 1



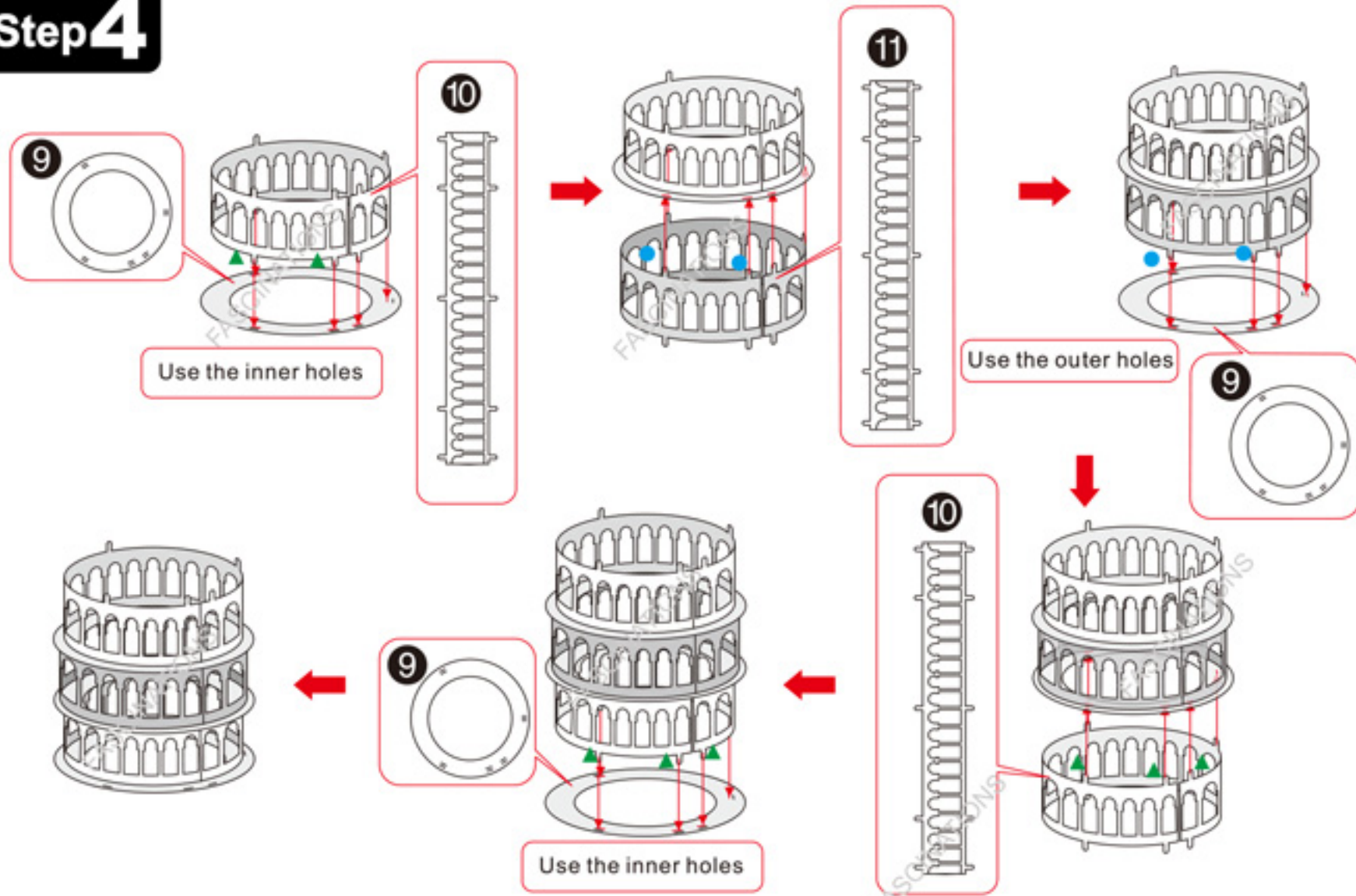
Step 2



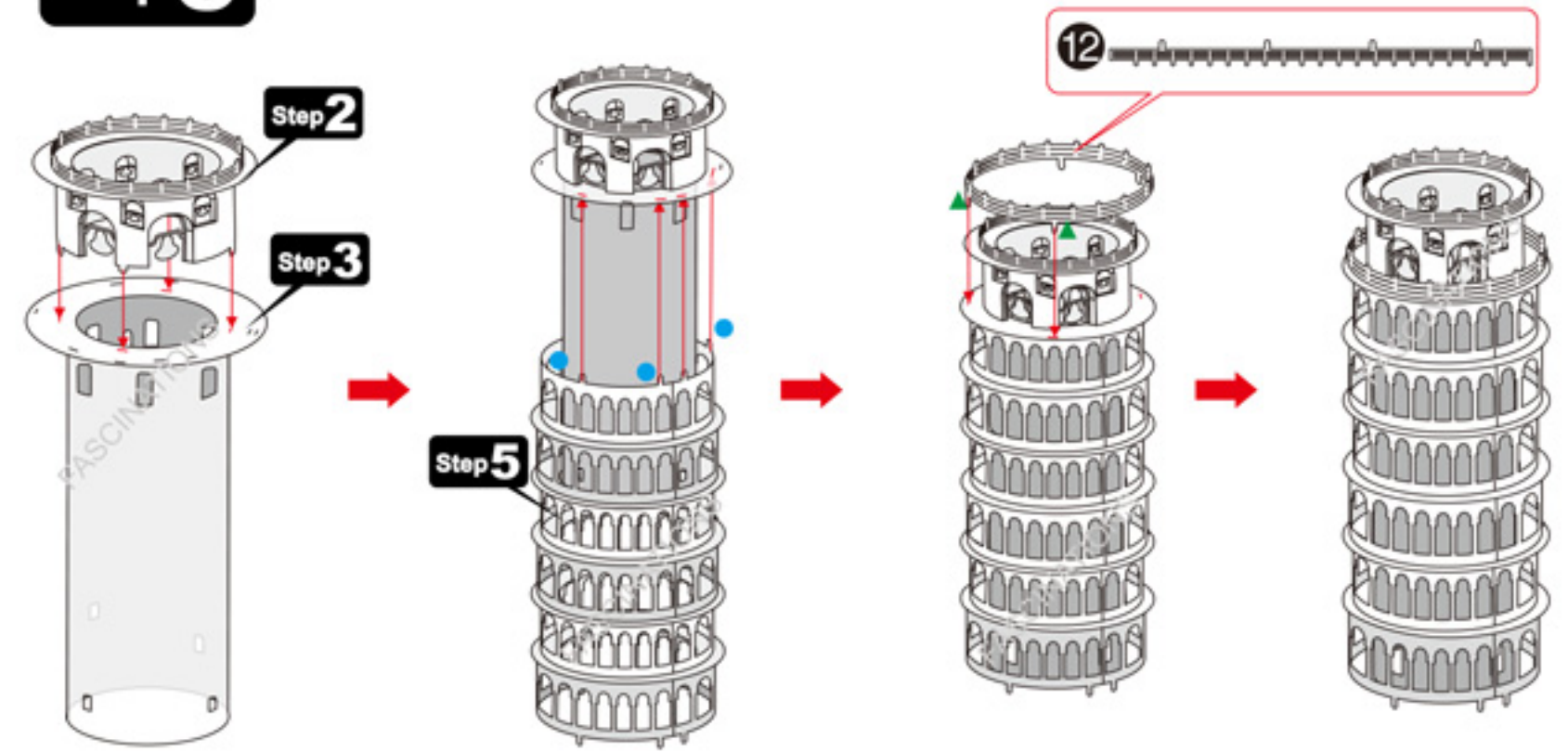
Step 3



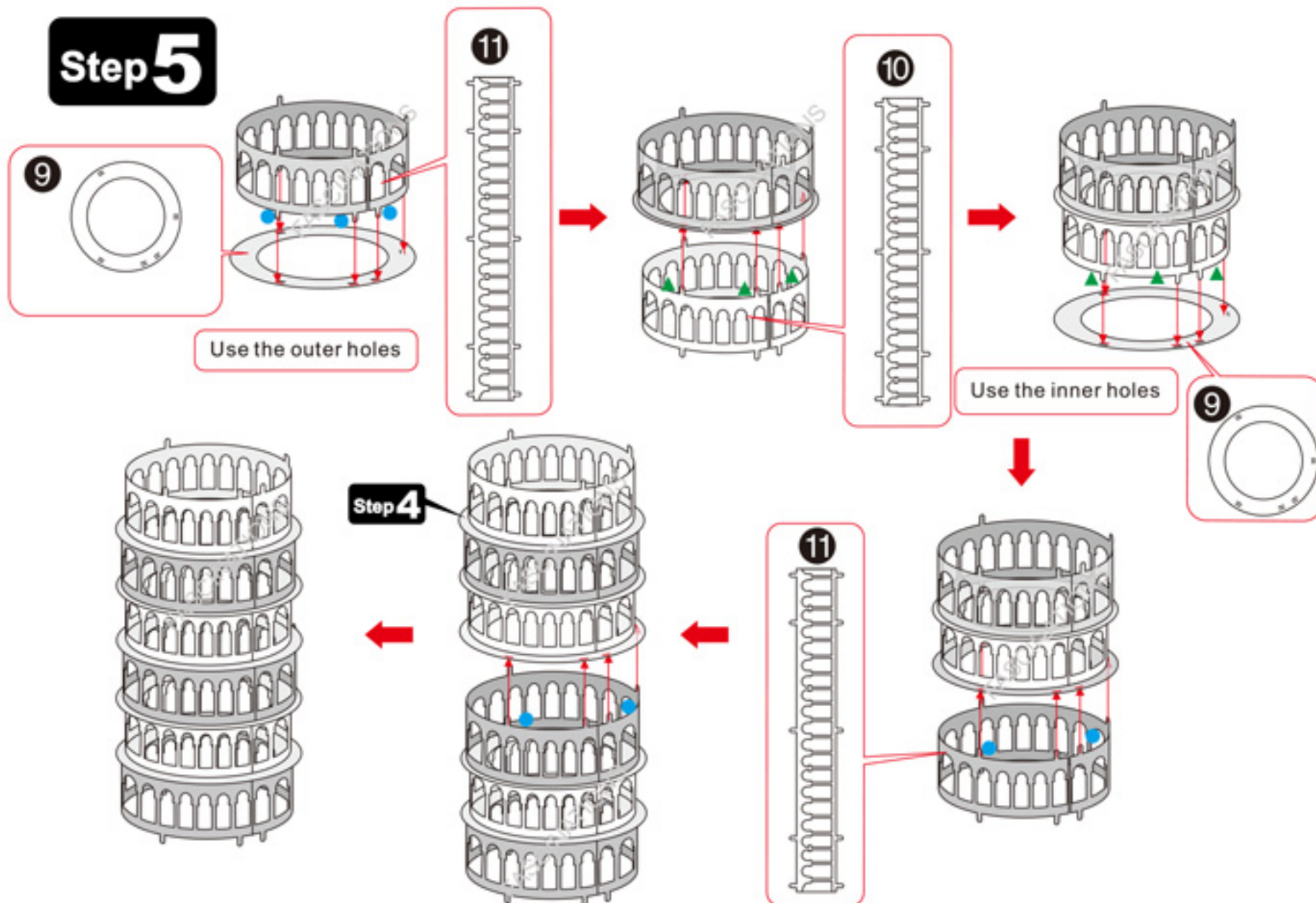
Step 4



Step 6



Step 5



Step 7

