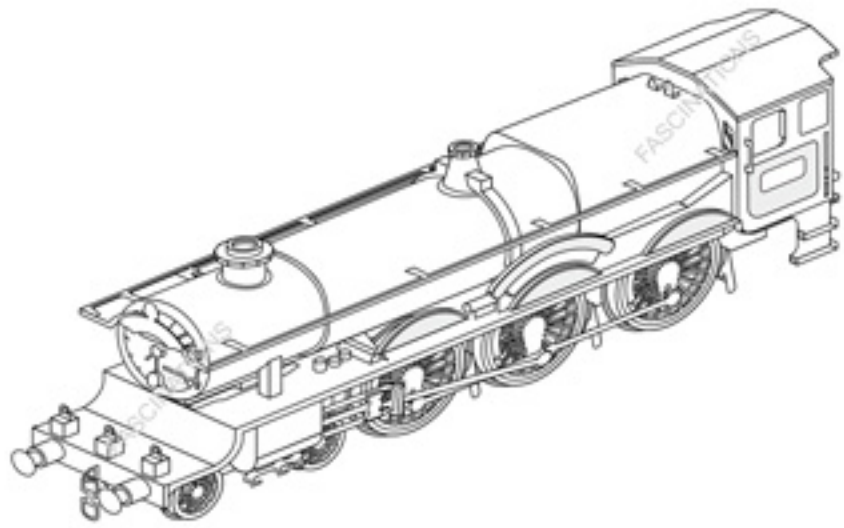




It is highly recommended that you visit www.metalearth.com/360/icx137 to see the completed model before assembling your own

ICX137



TO CREATE THE BEST CONNECTIONS



Legends:

- E** Engraved/Color side
- NE** Non-engraved/Silver side
- Attention point
- Insert tab and bend 90 degrees
- Insert tab and twist 90 degrees

Assembly tip:

If needed, slightly twist tabs to hold parts together then untwist and bend them down for a nice finish

Recommended tools:

-Wire cutters: helpful for taking parts from the metal sheets.

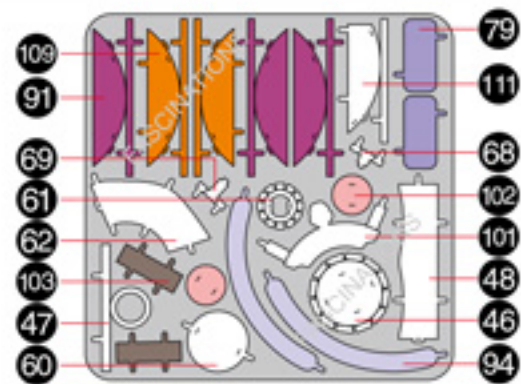


-Tweezers or needle nose pliers: helpful for folding parts, bending and twisting tabs.



METAL SHEETS

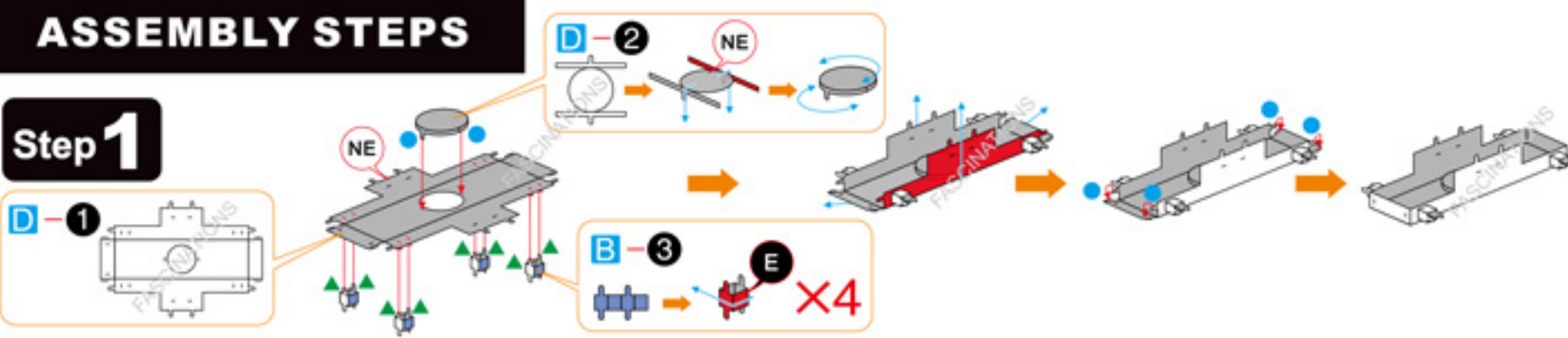
A



Parts that are in the same color are duplicates

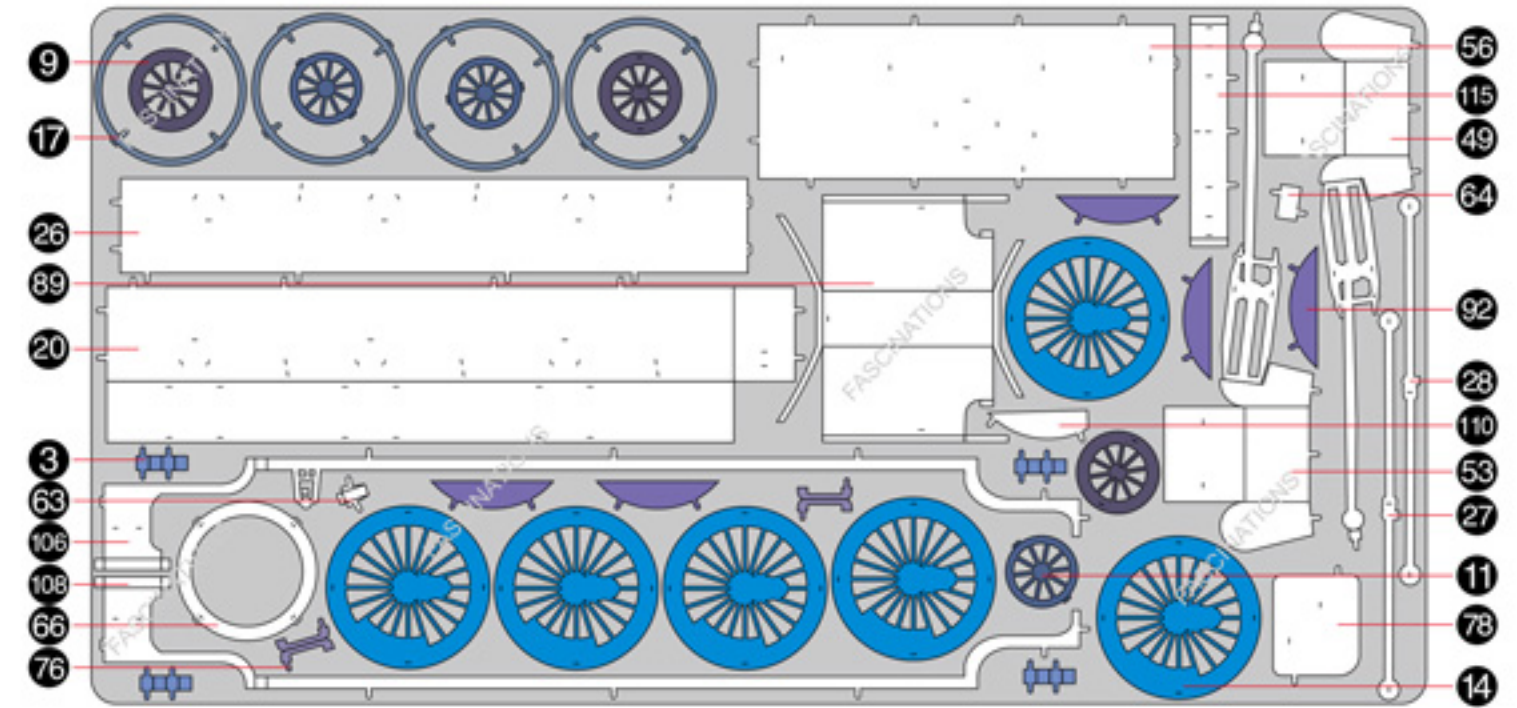
ASSEMBLY STEPS

Step 1

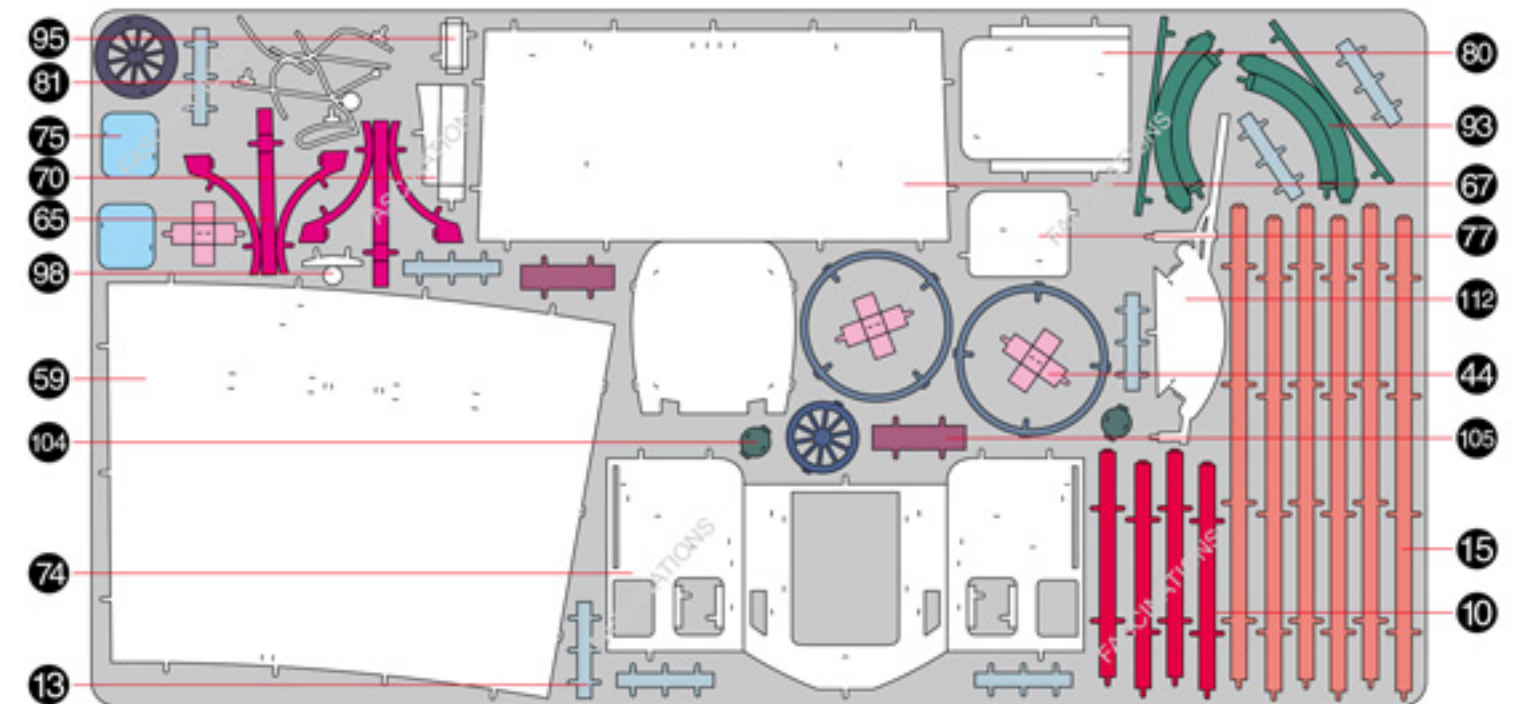


In order to avoid possible injury from sharp edges, please carefully discard the metal sheets after parts have been removed

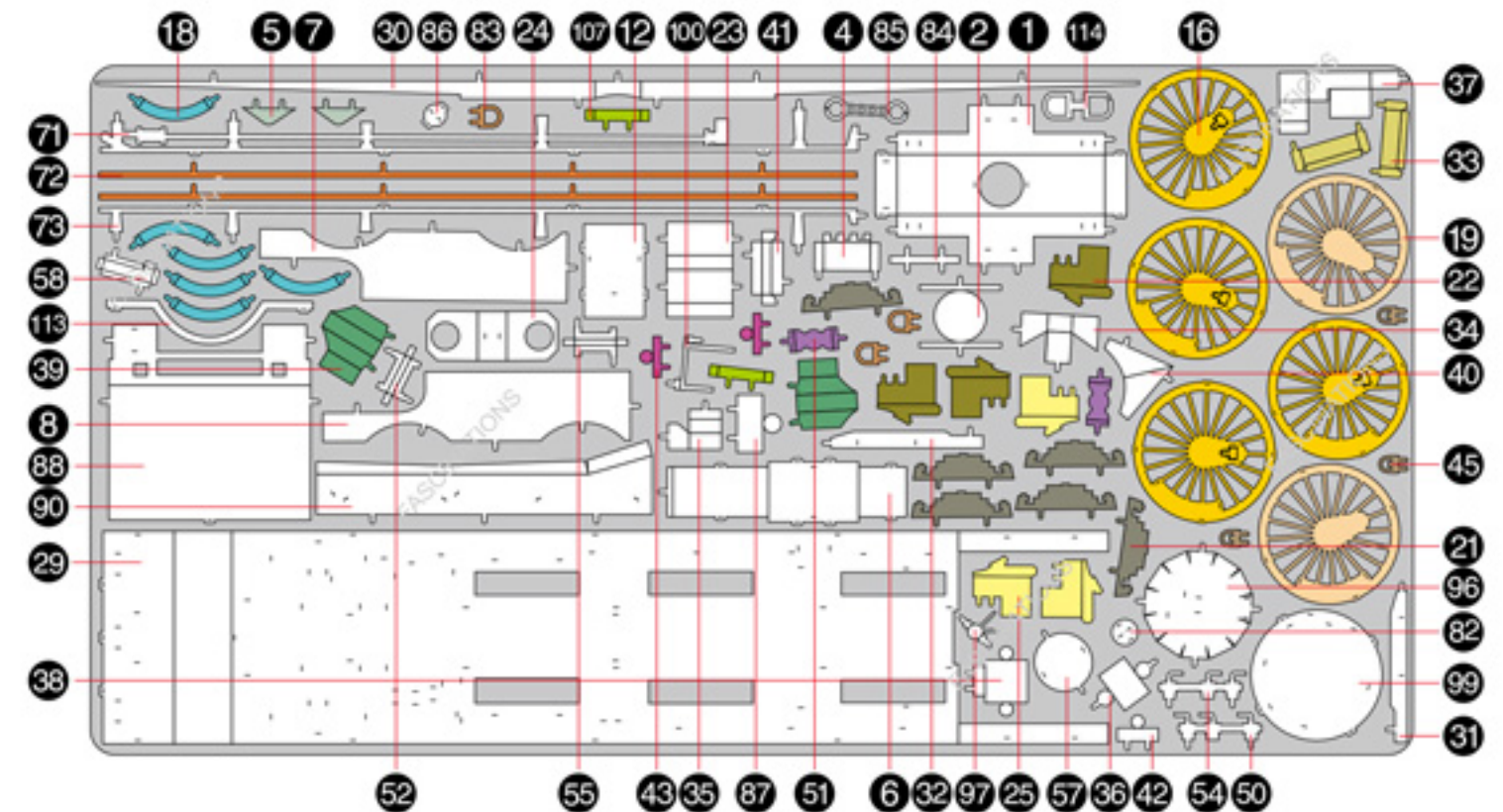
B

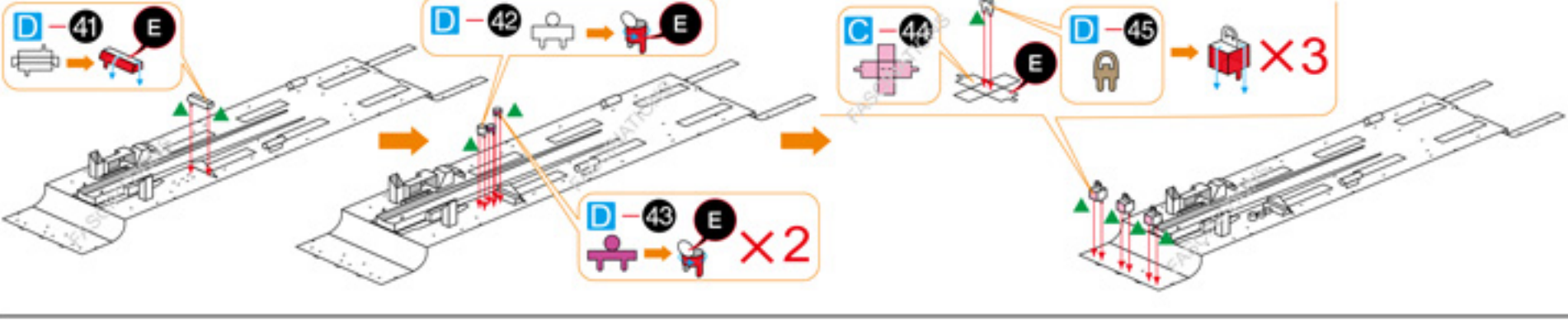
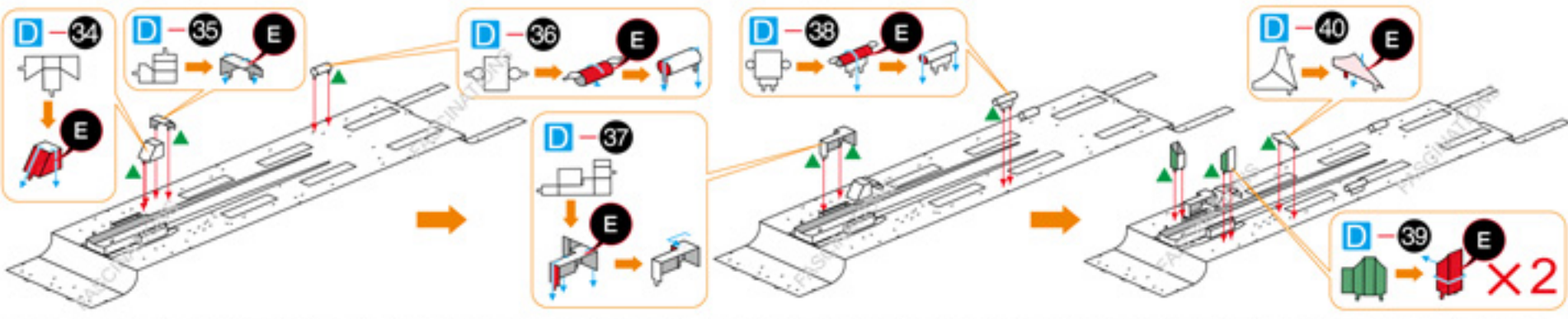
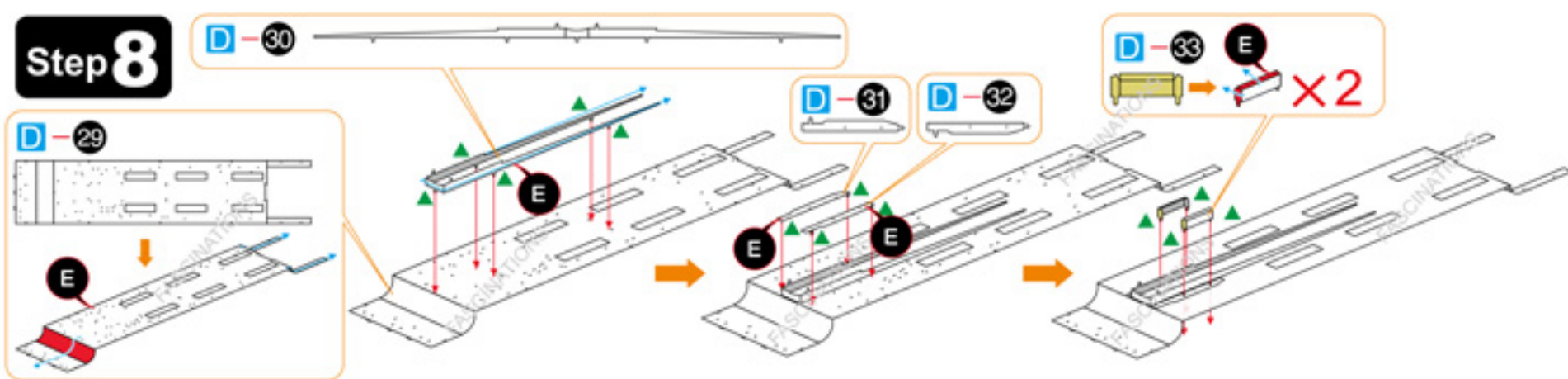
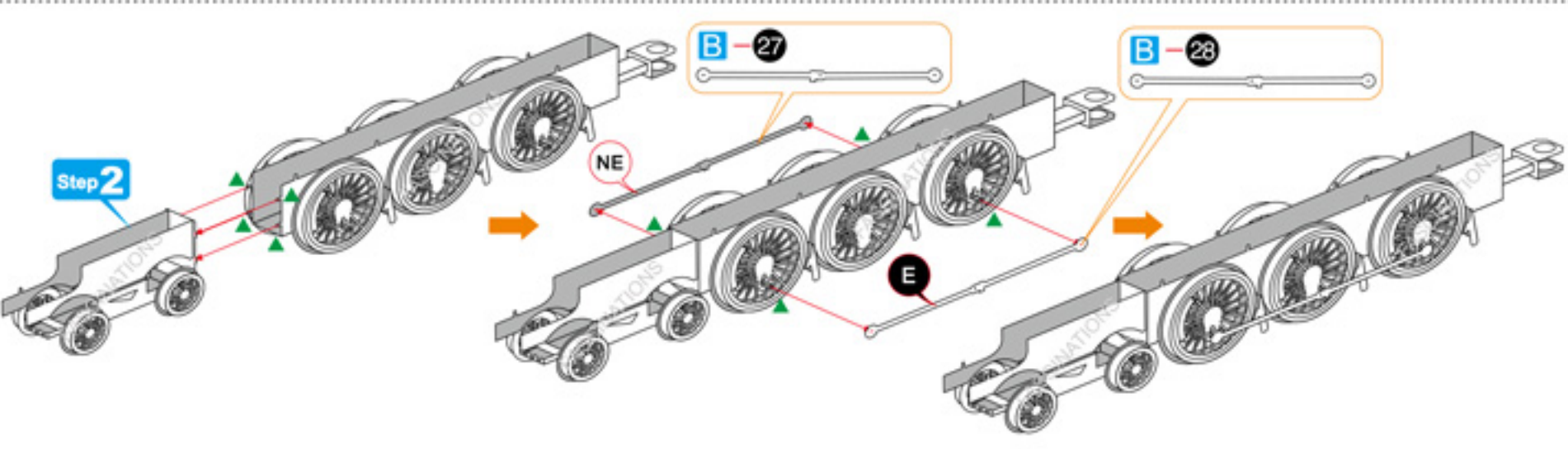
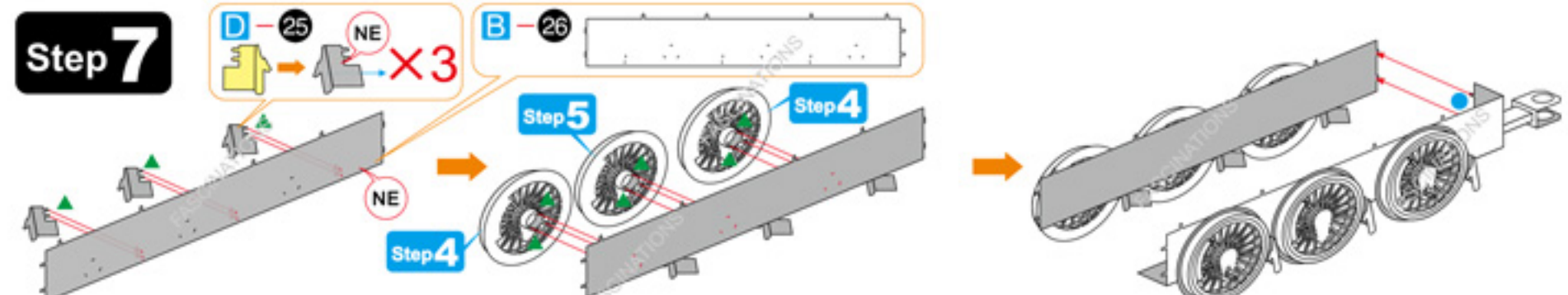
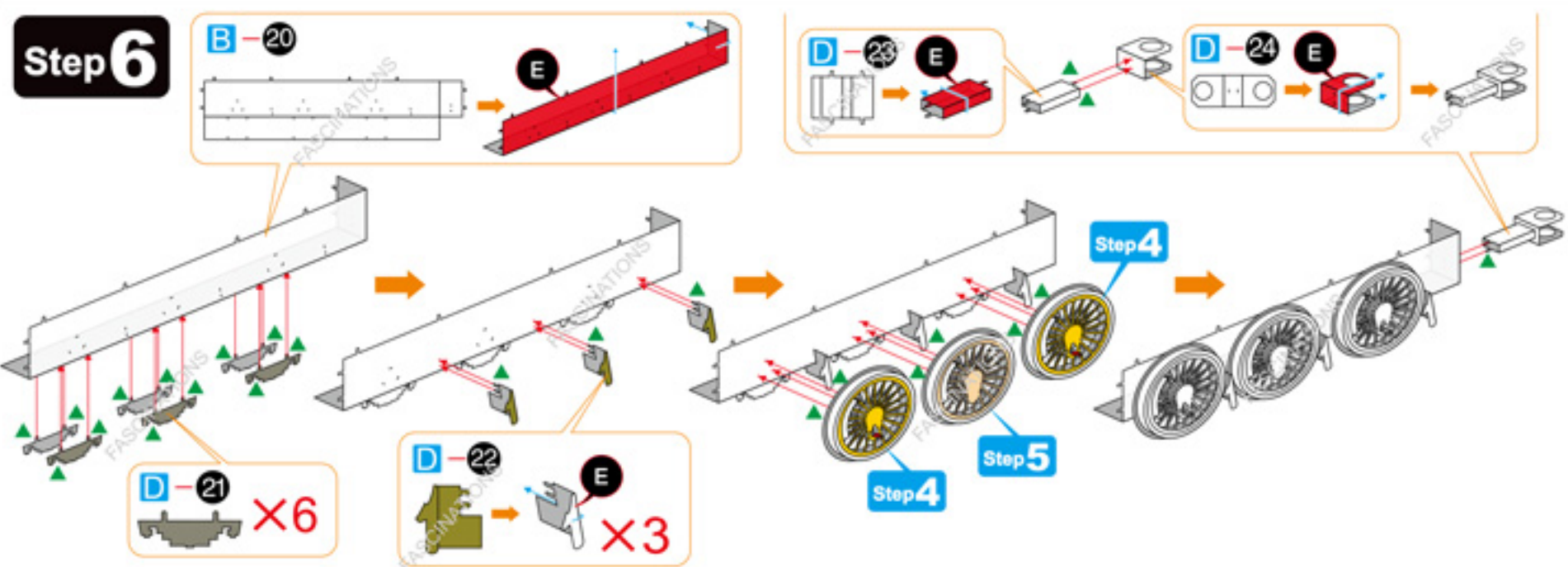
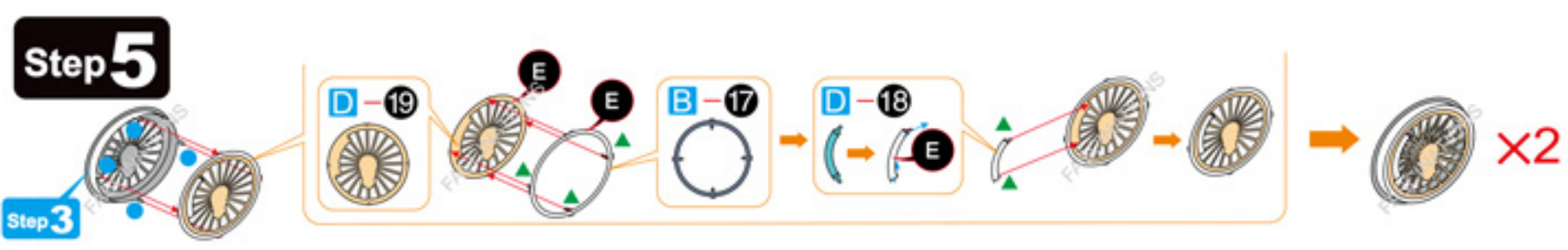
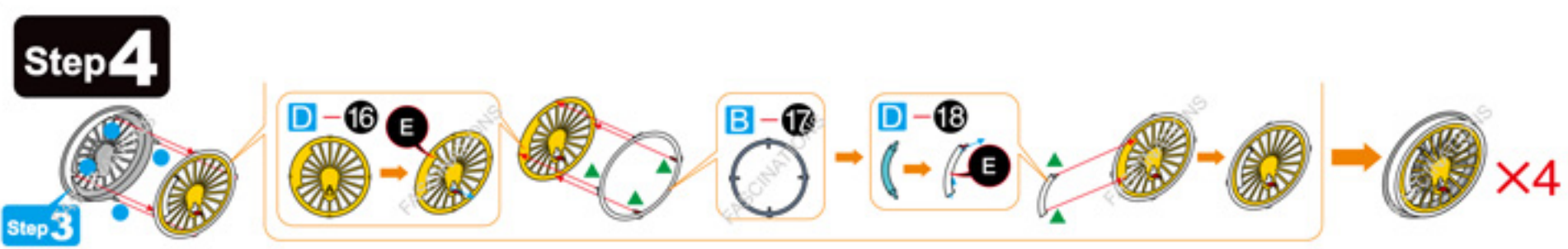
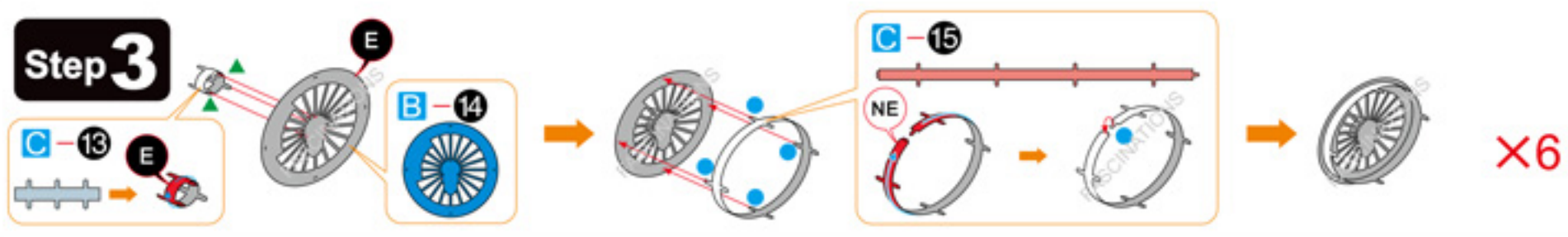
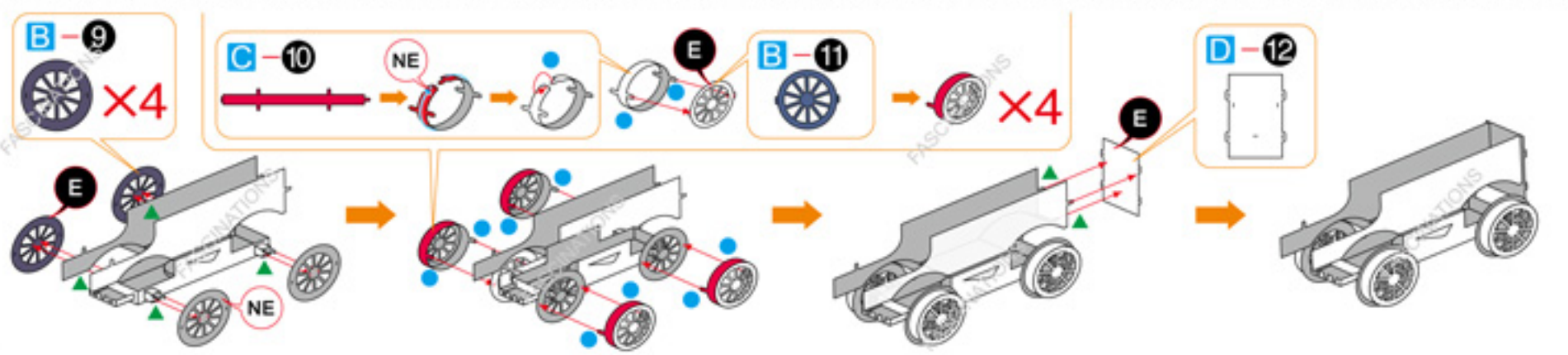
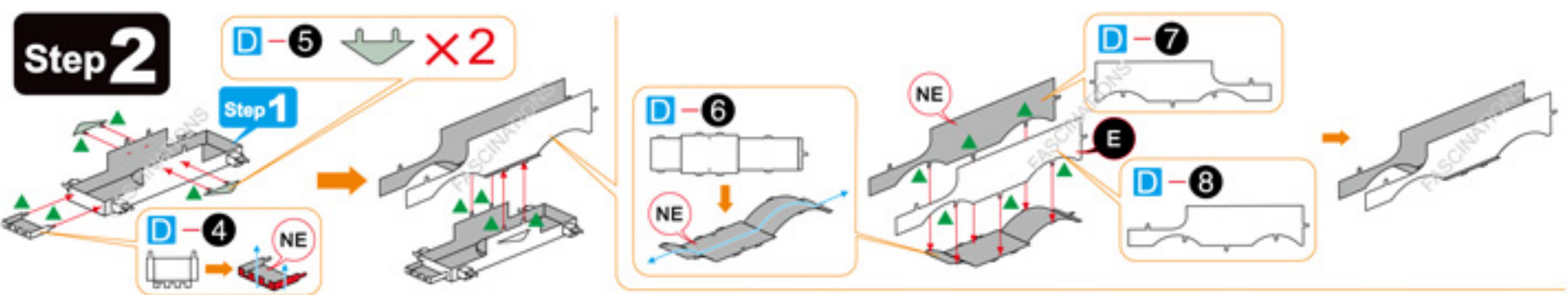


C

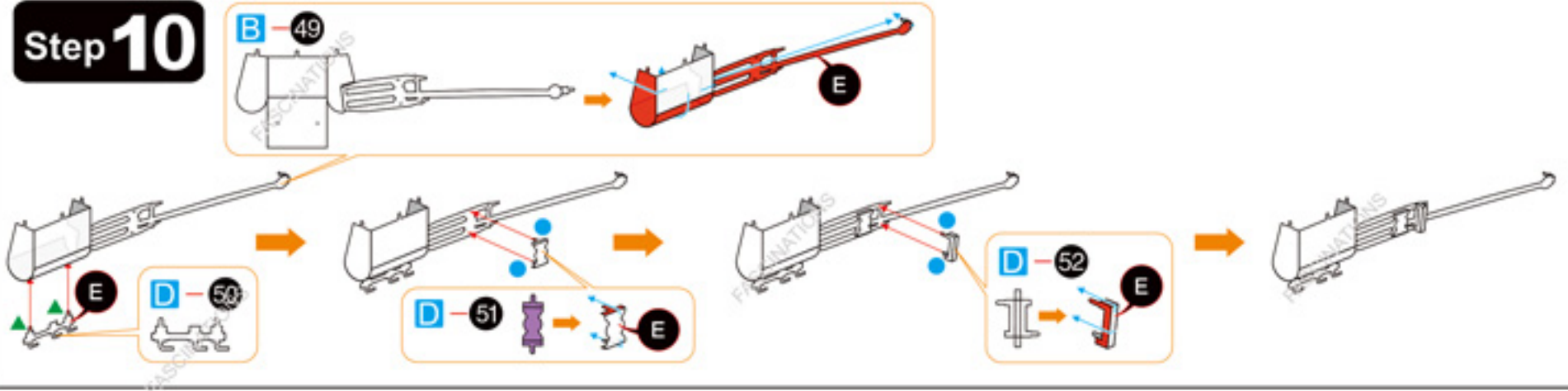


D

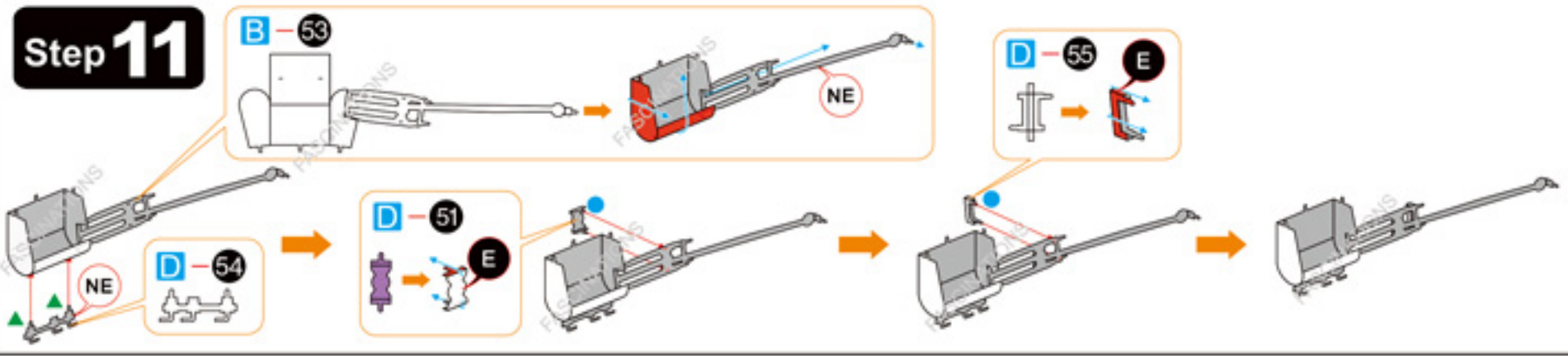




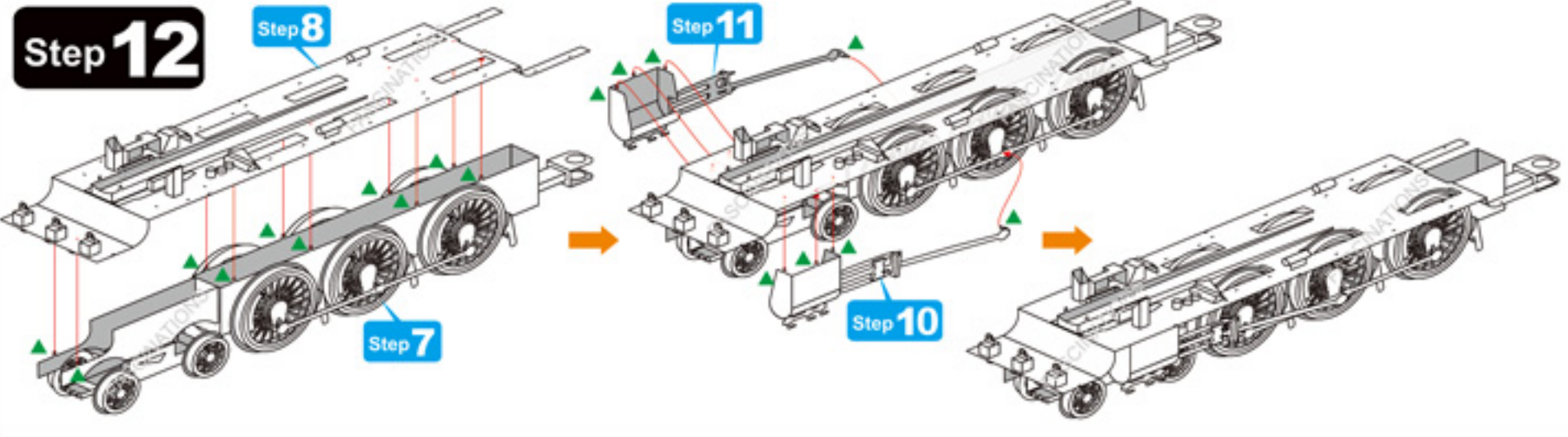
Step 10



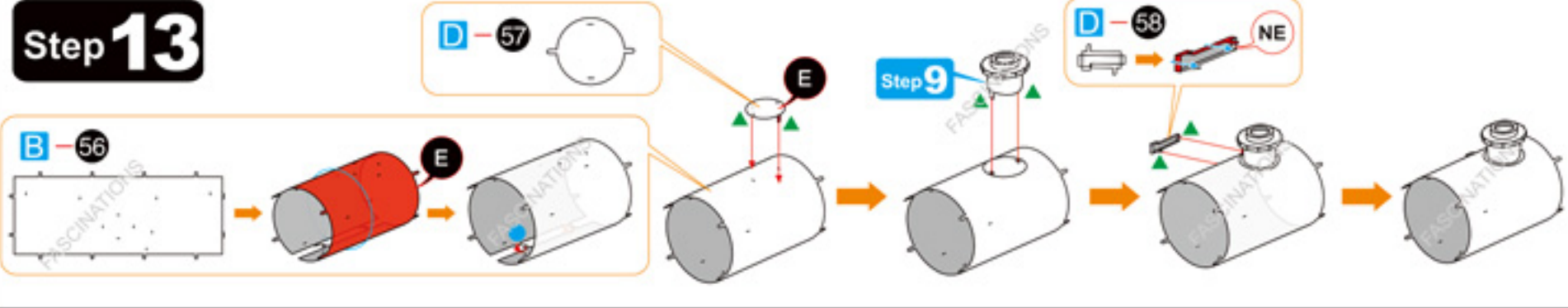
Step 11



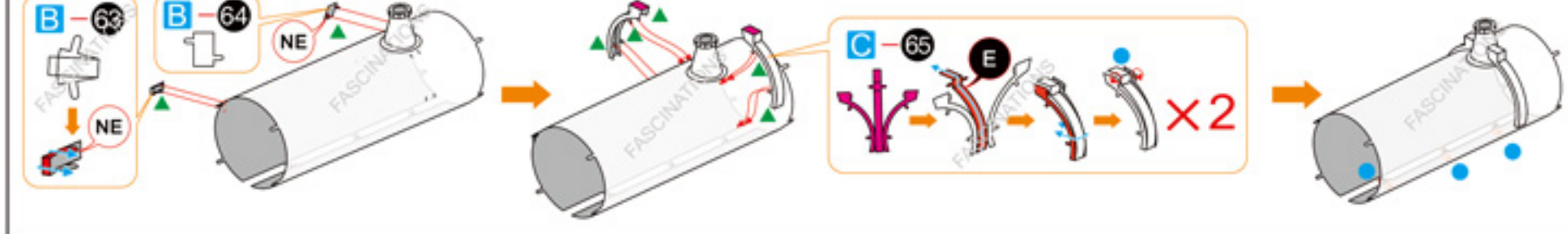
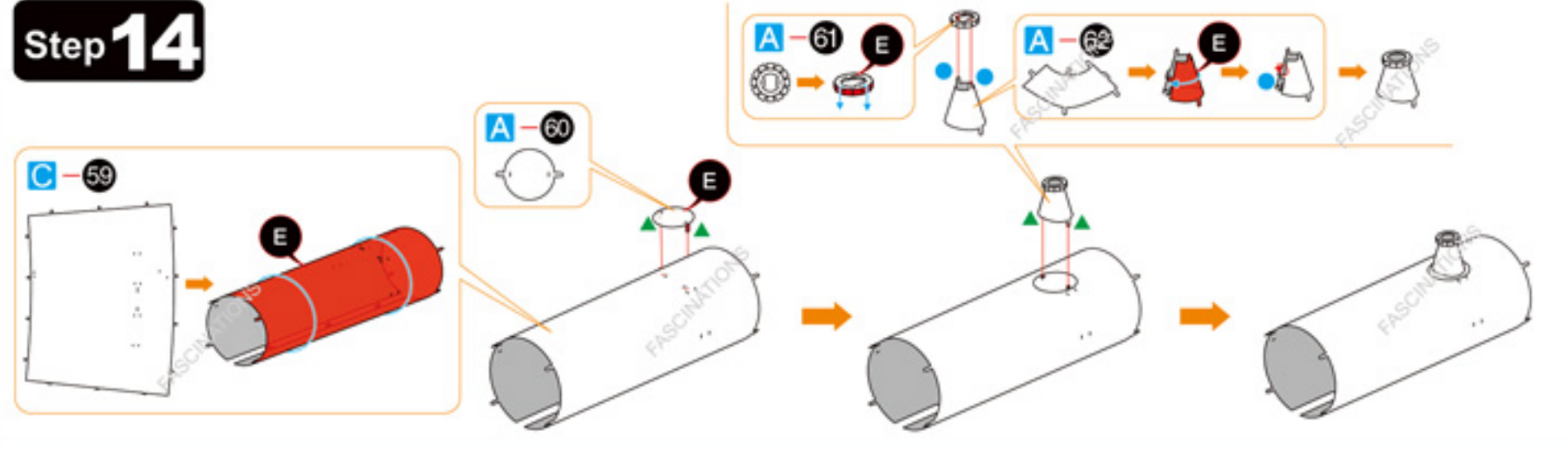
Step 12



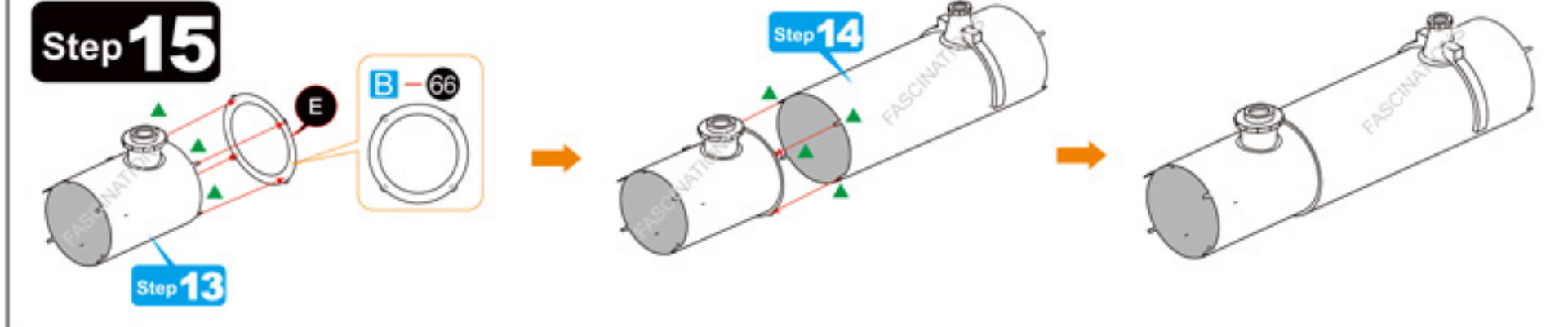
Step 13



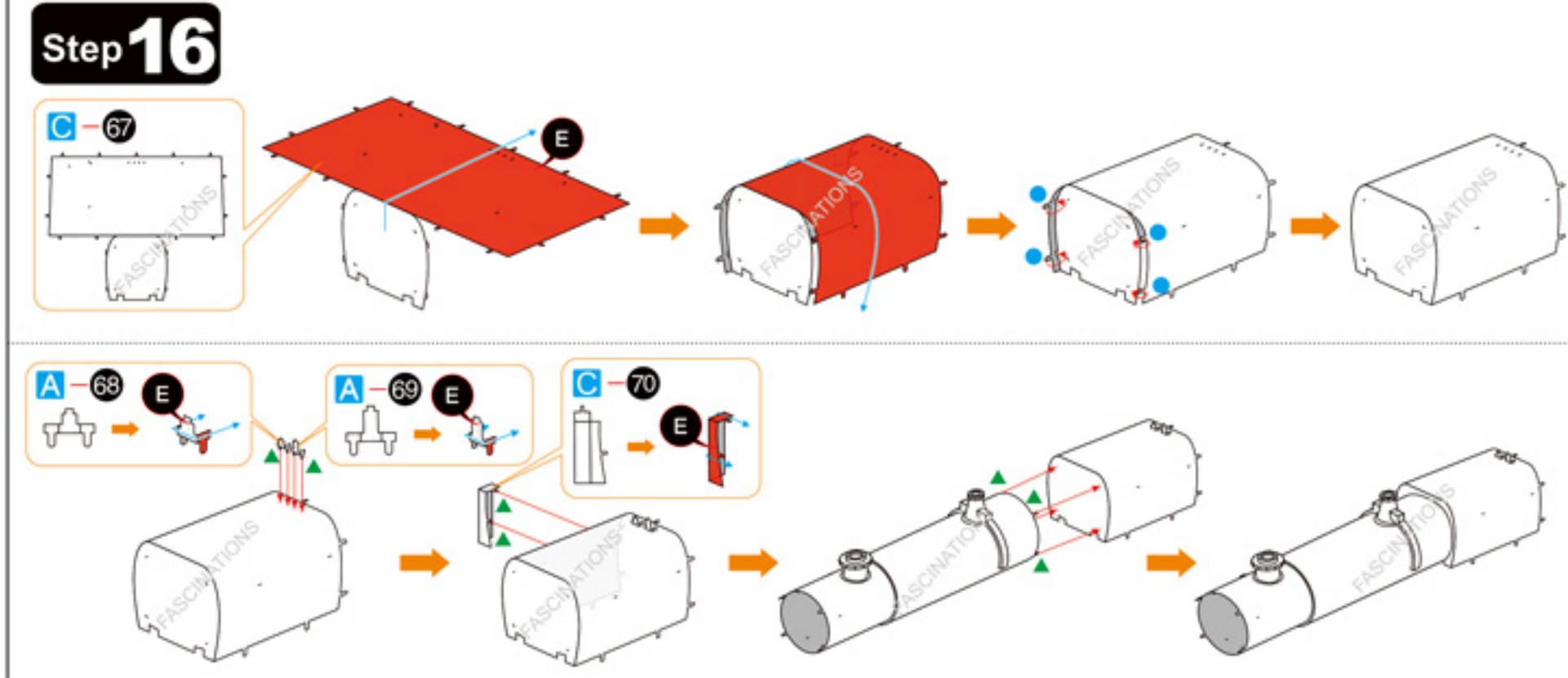
Step 14



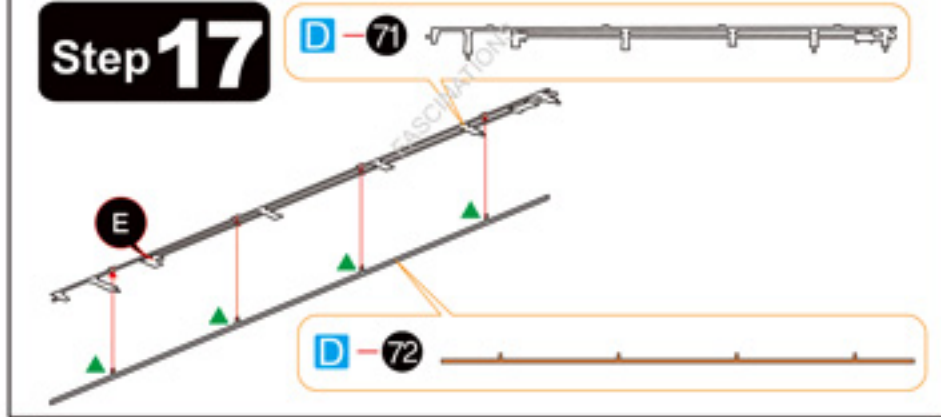
Step 15



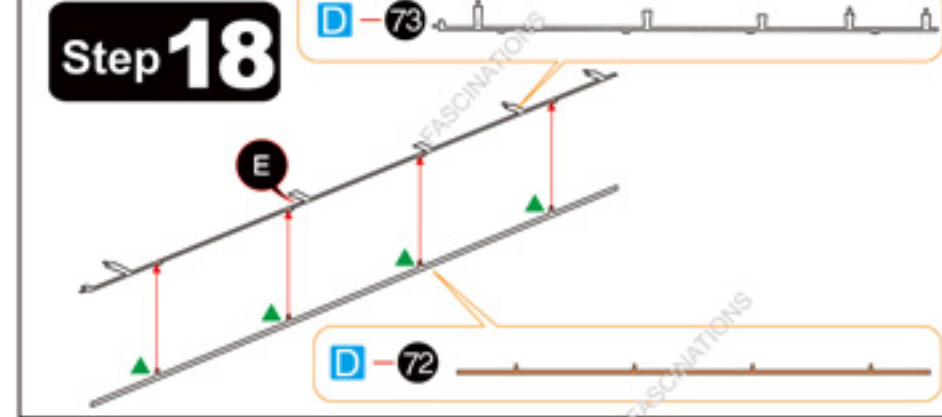
Step 16



Step 17



Step 18



Step 19

