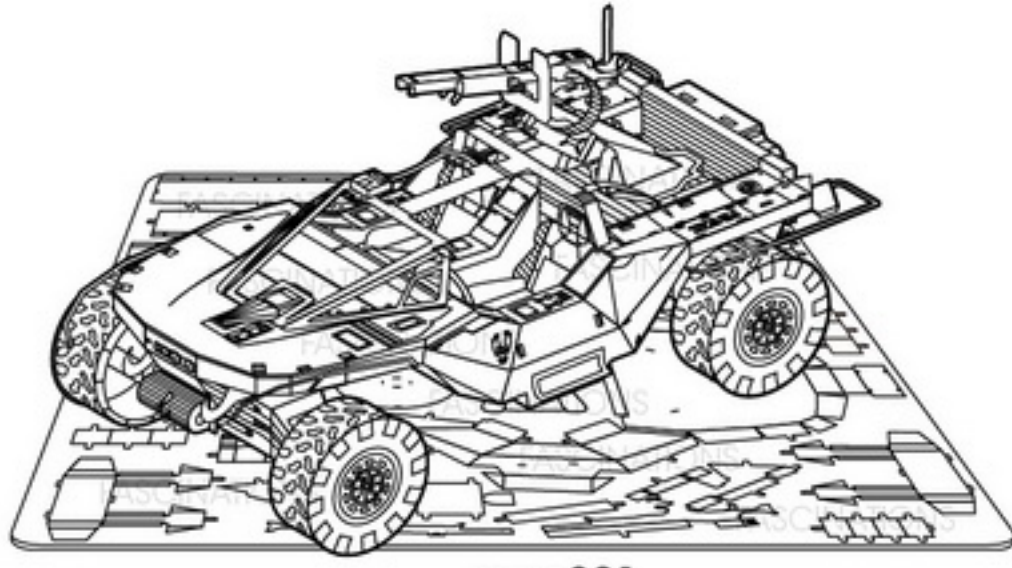


METAL EARTH™

3D LASER CUT MODELS



It is highly recommended that you visit www.fascinations.com/metalearth360/mms291 to see the completed model before assembling your own

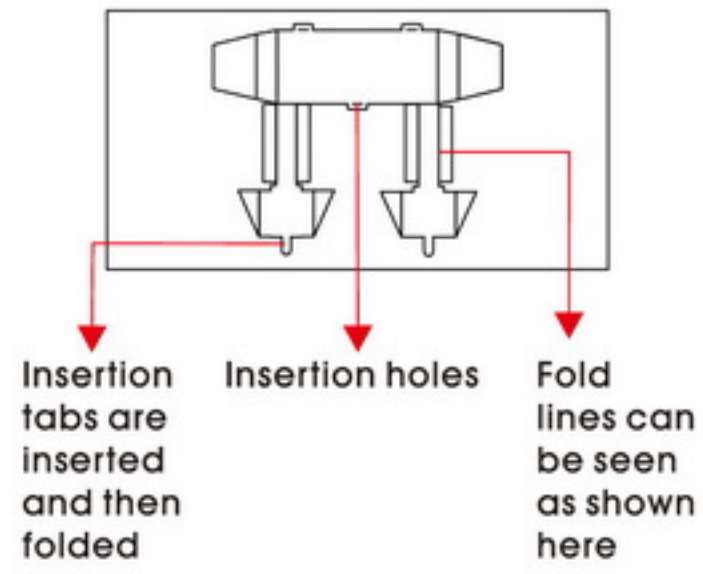
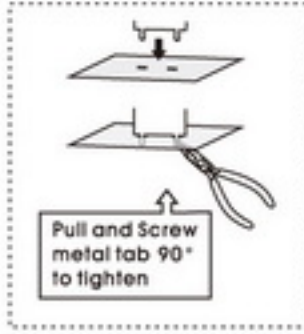
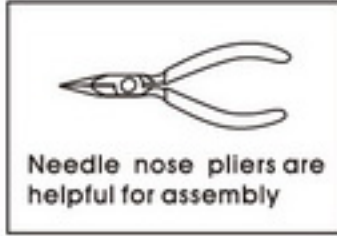


mms291

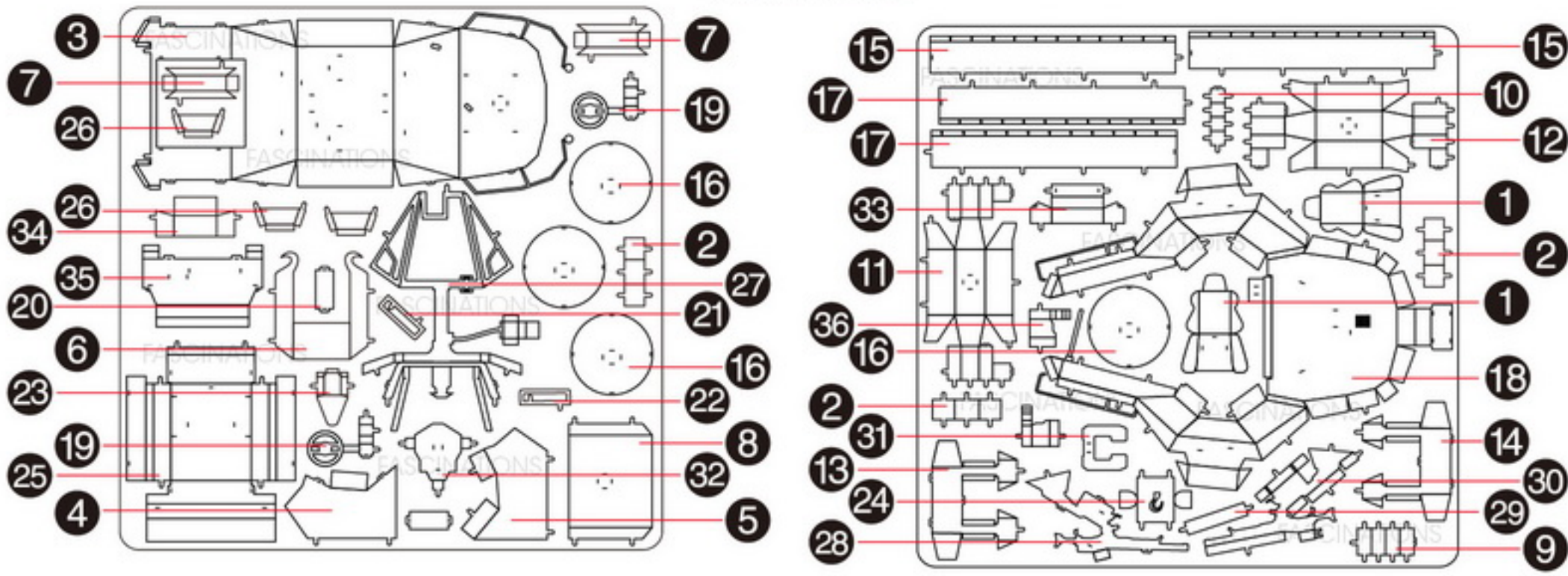
To create the best connections

Insert tab and bend 90 for most visible areas

Insert tab and twist 90 degrees is best in some areas to ensure a tight connection



Metal sheets



In order to avoid possible injury from sharp edges, please carefully discard the metal sheet after parts have been removed

Assembly Flow Chart

