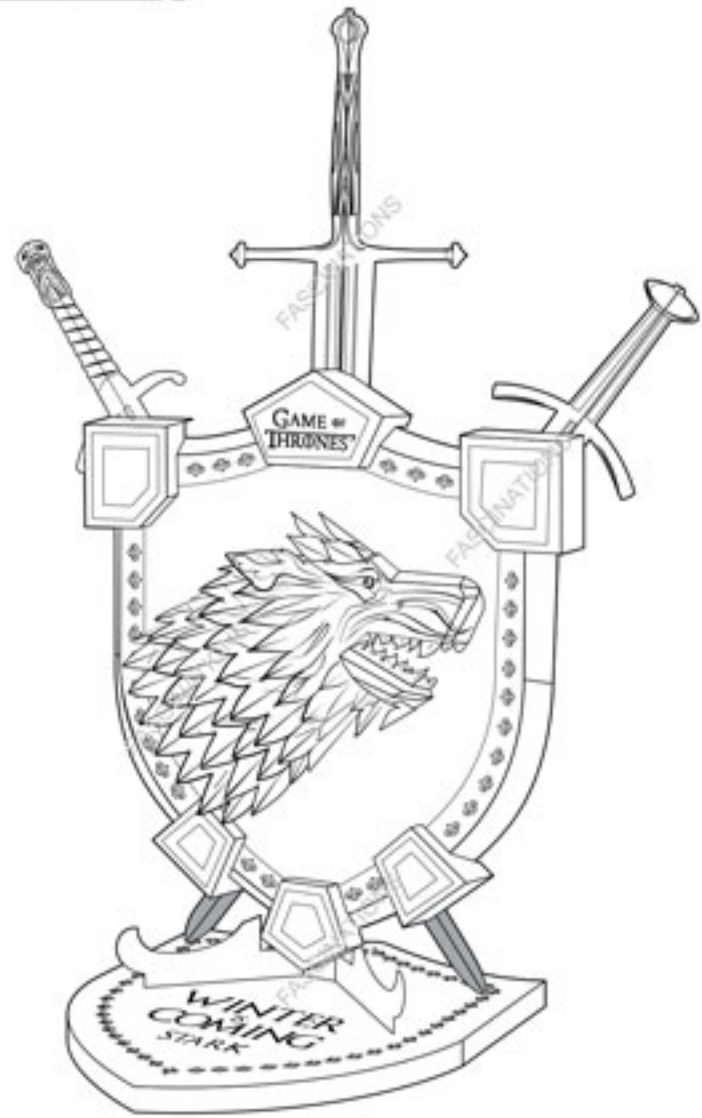




It is highly recommended that you visit www.metalearth.com/360/icx125 to see the completed model before assembling your own

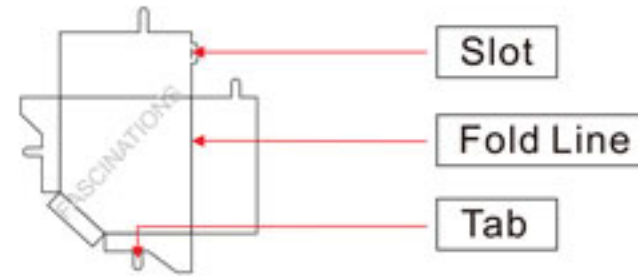
Go to www.metalearth.com/360/icx125 to see the zoomable PDF version of this instruction sheet

ICX125



HOUSE STARK SIGIL

TO CREATE THE BEST CONNECTIONS



Legends:

- E** Engraved side
- NE** Non-engraved side
- Attention point
- Insert tab and bend 90 degrees
- Insert tab and twist 90 degrees

Recommended tools:

-Wire cutters: helpful for taking parts from the metal sheets.



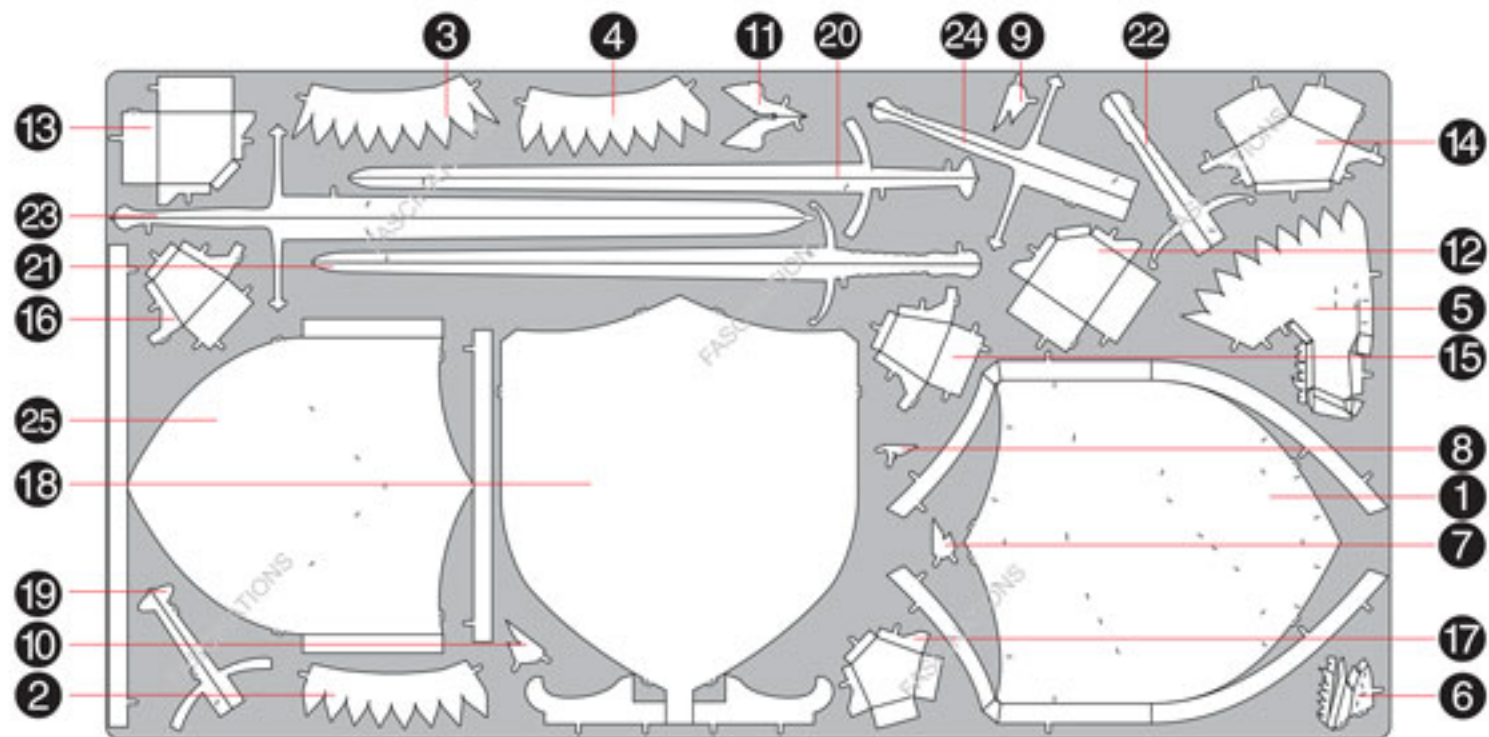
-Tweezers or needle nose pliers: helpful for folding parts, bending and twisting tabs.



Assembly tip:

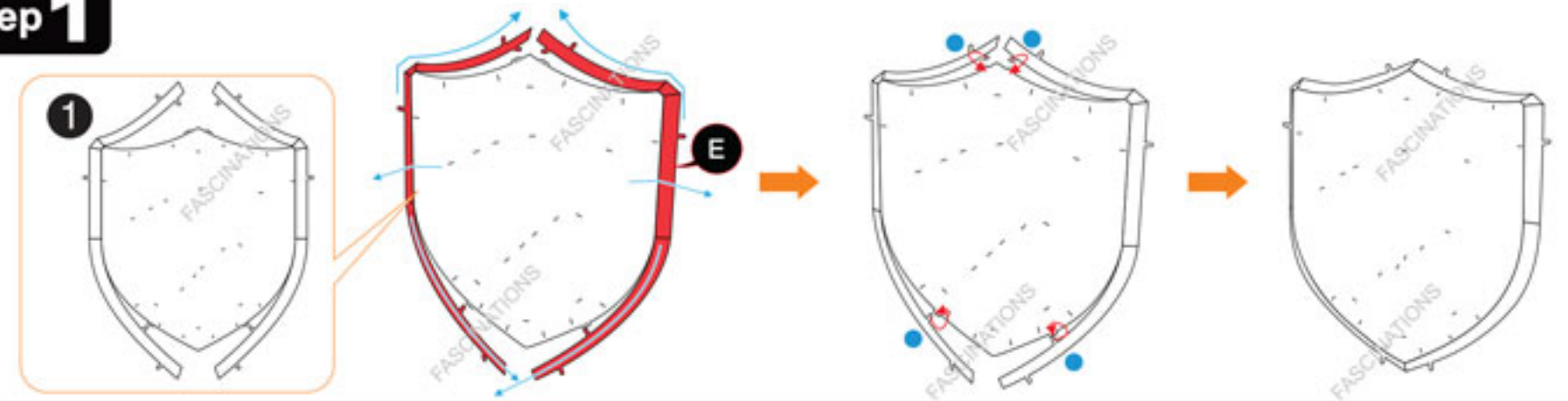
If needed, slightly twist tabs to hold parts together then untwist and bend them down for a nice finish

METAL SHEETS

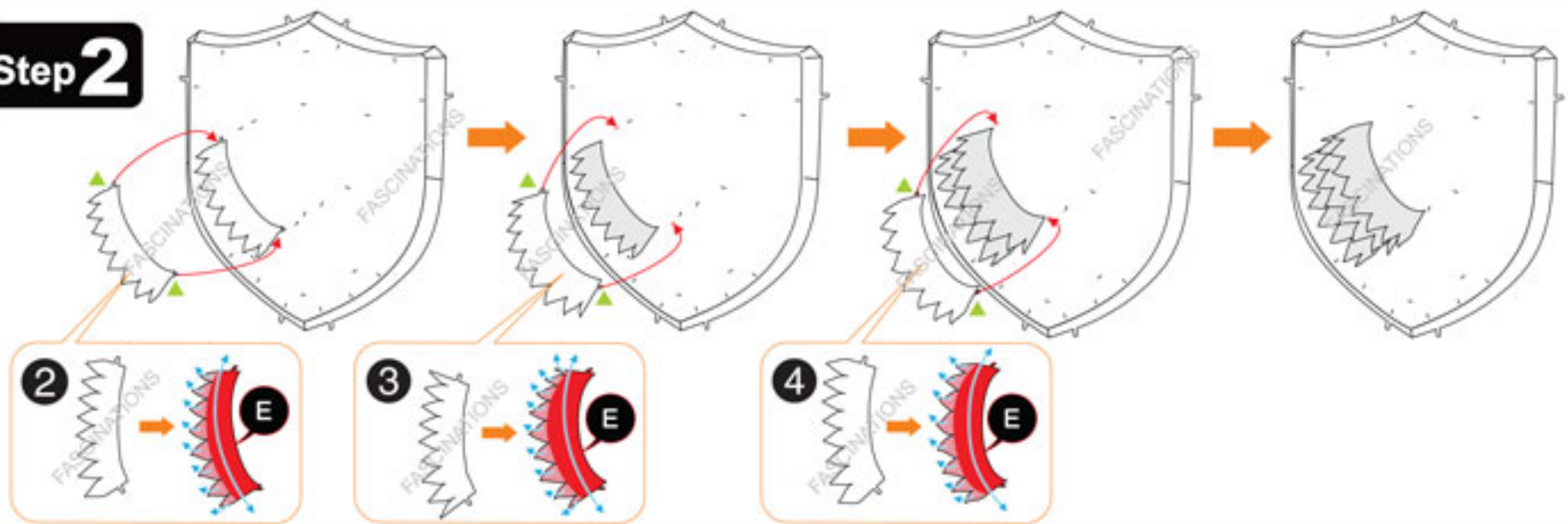


ASSEMBLY STEPS

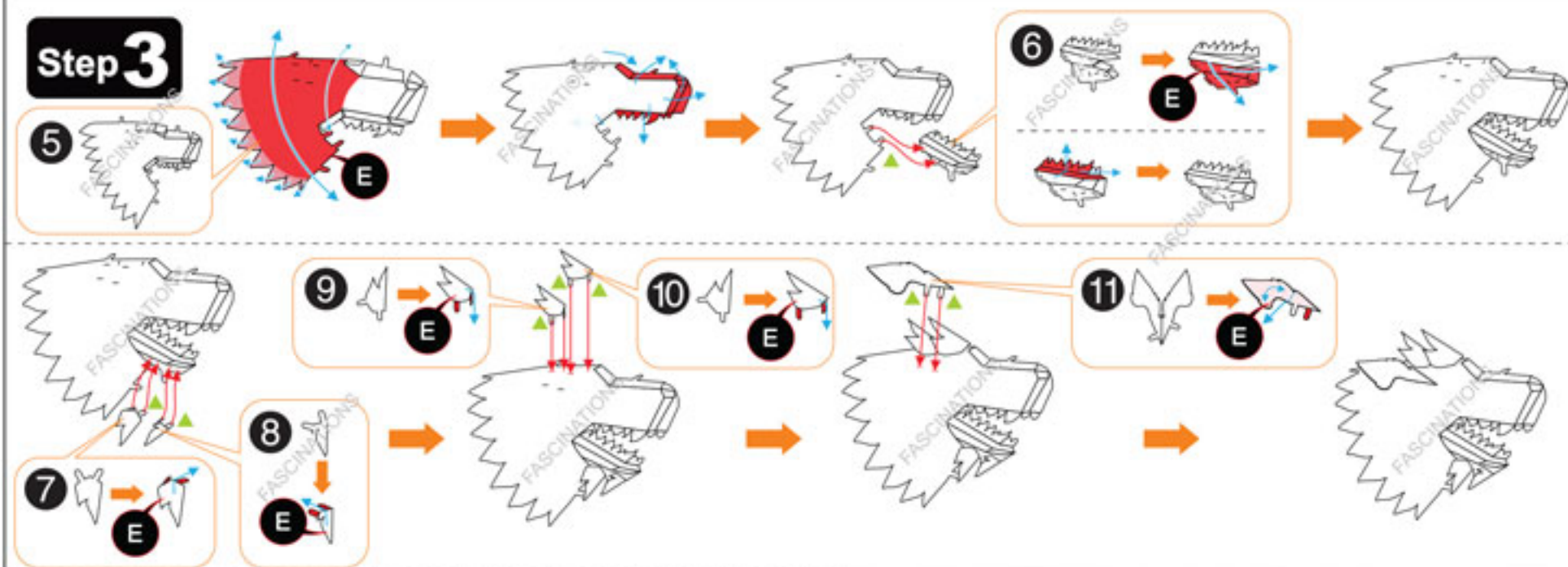
Step 1



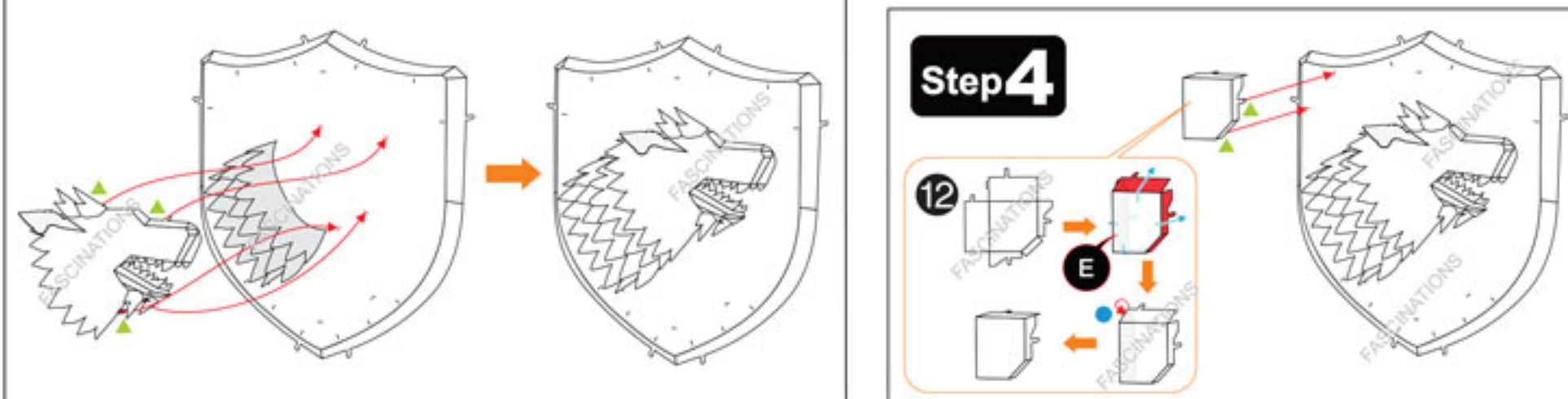
Step 2



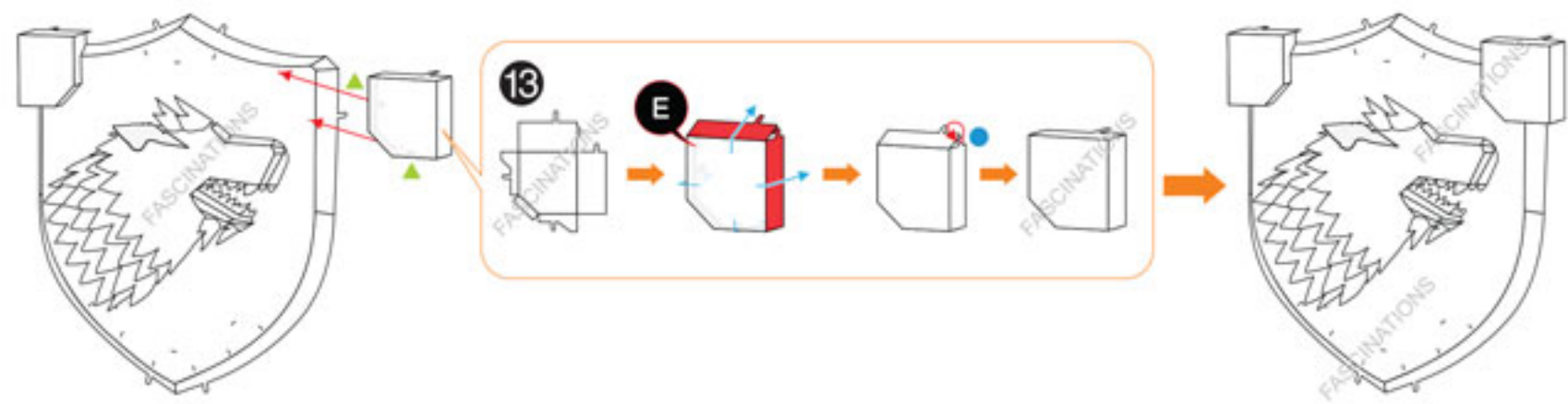
Step 3



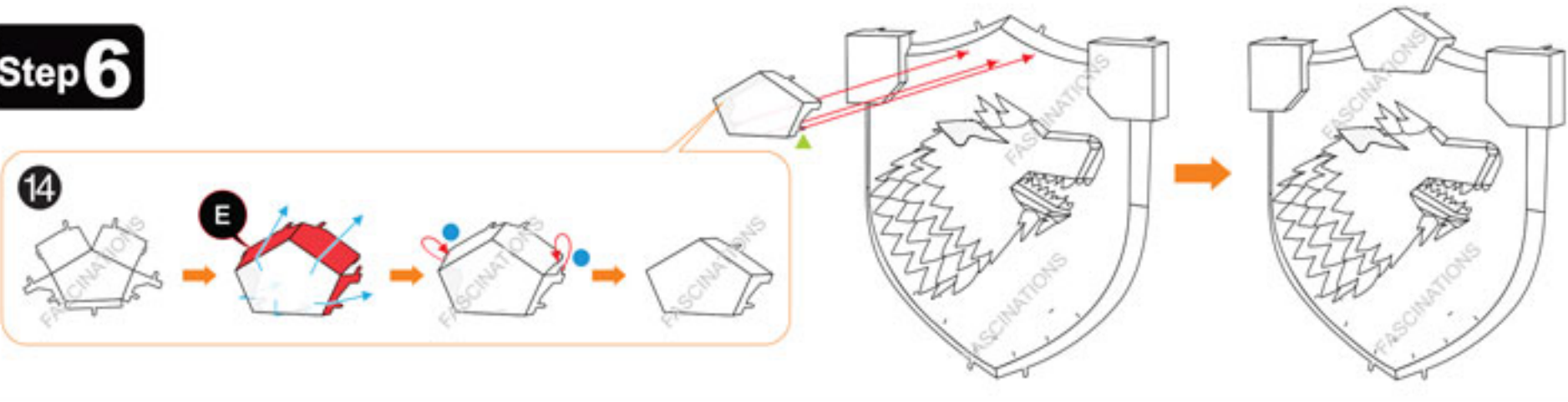
Step 4



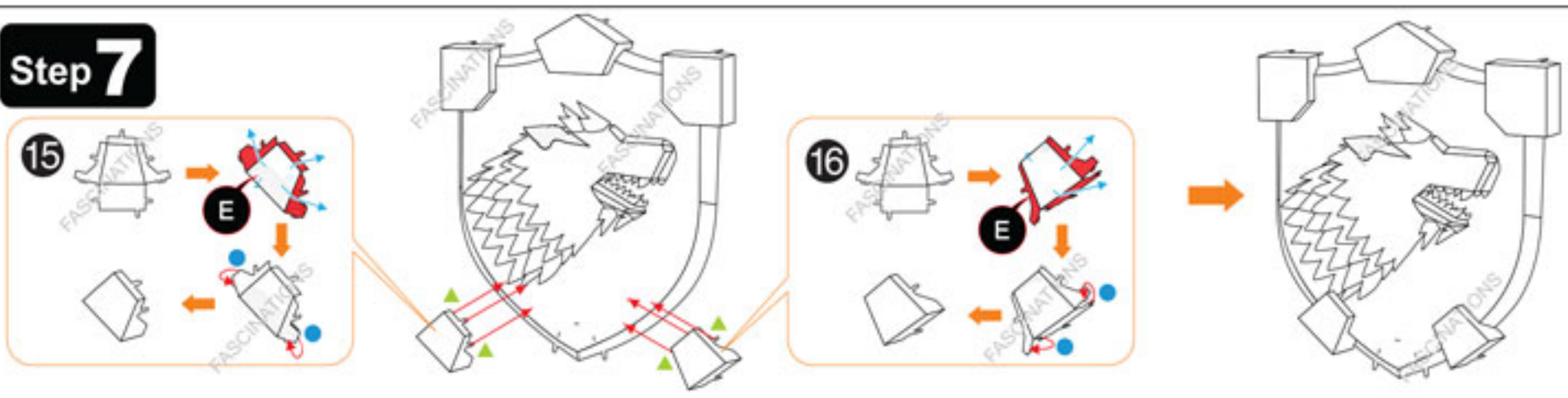
Step 5



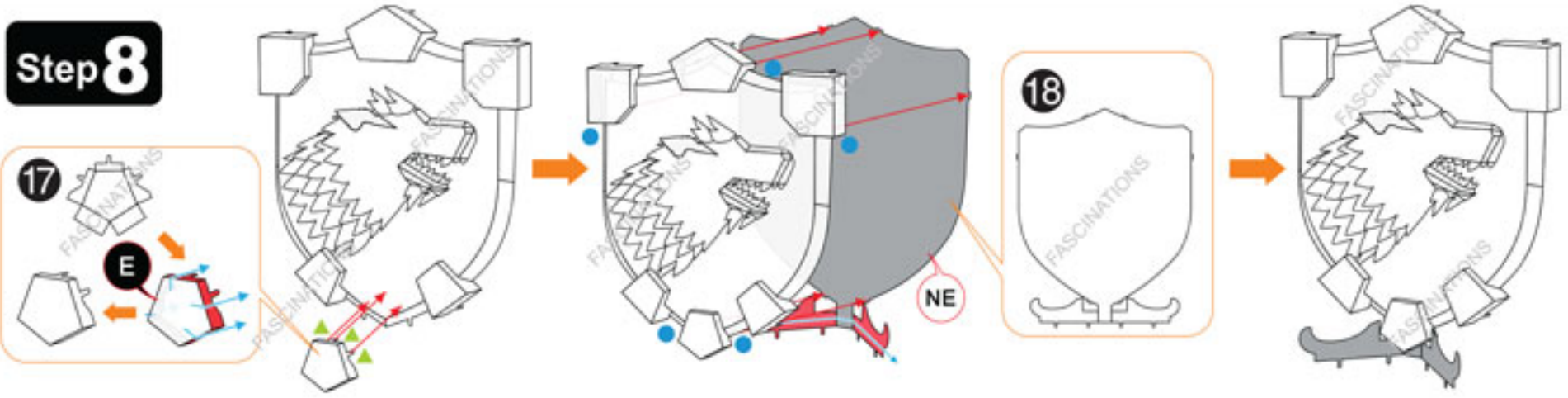
Step 6



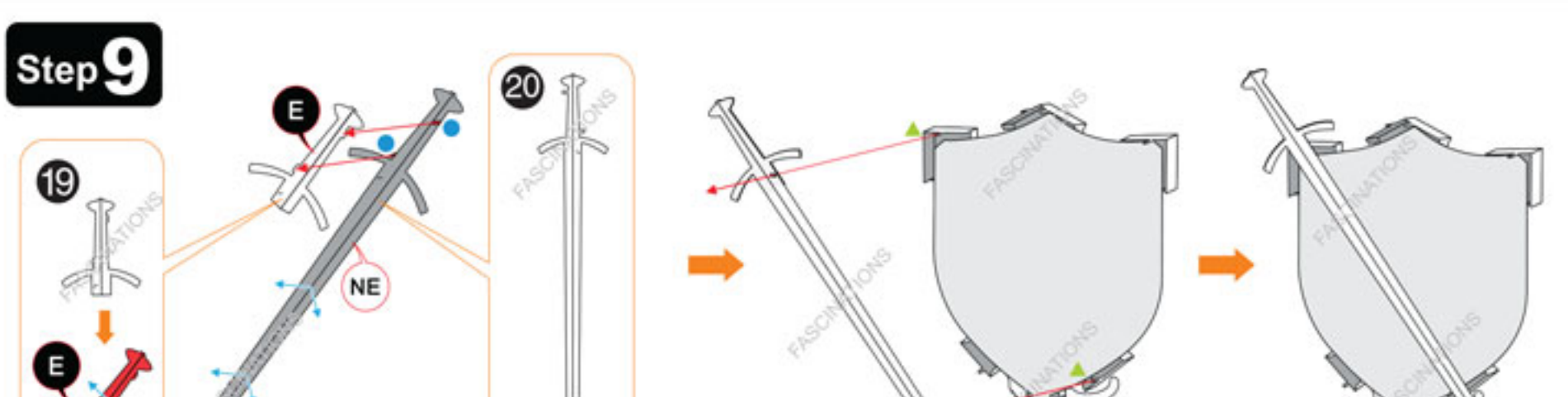
Step 7



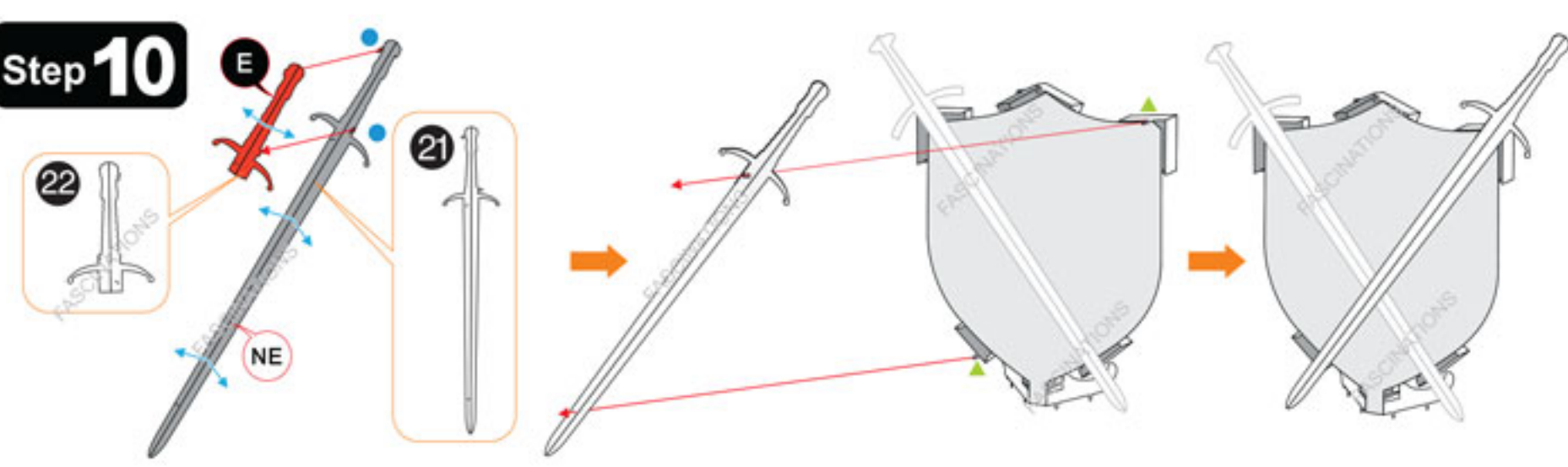
Step 8



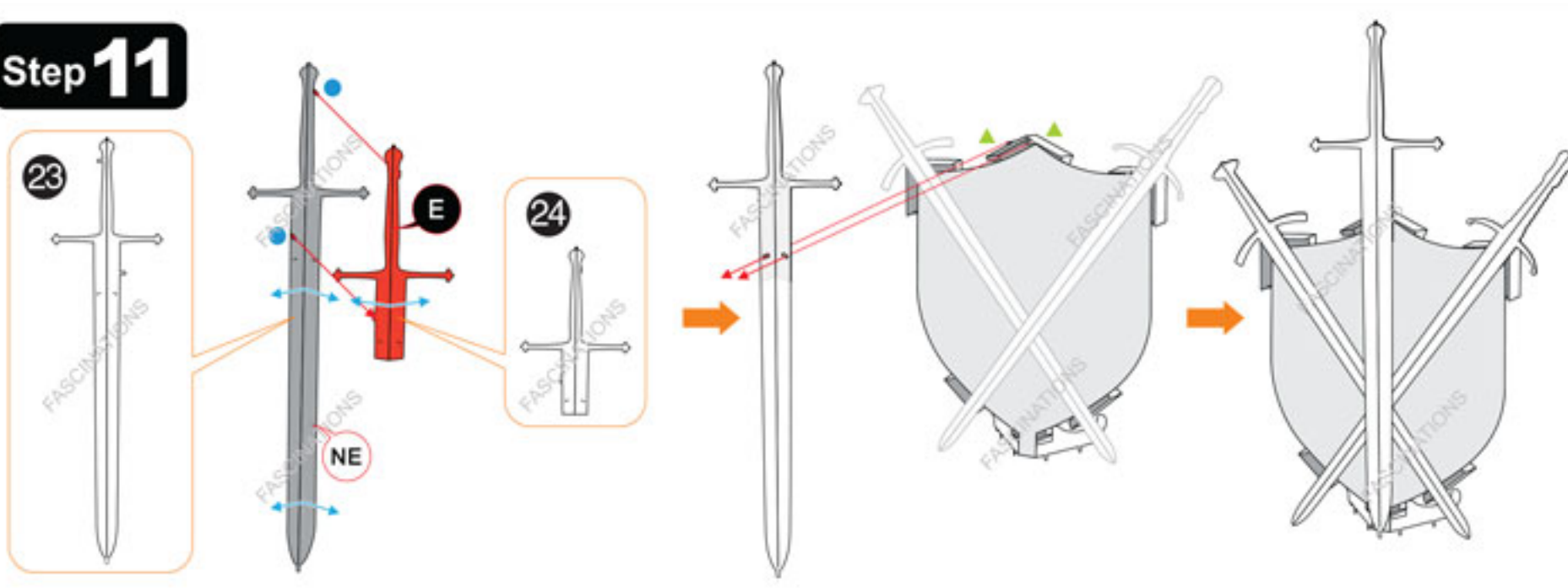
Step 9



Step 10



Step 11



Step 12

