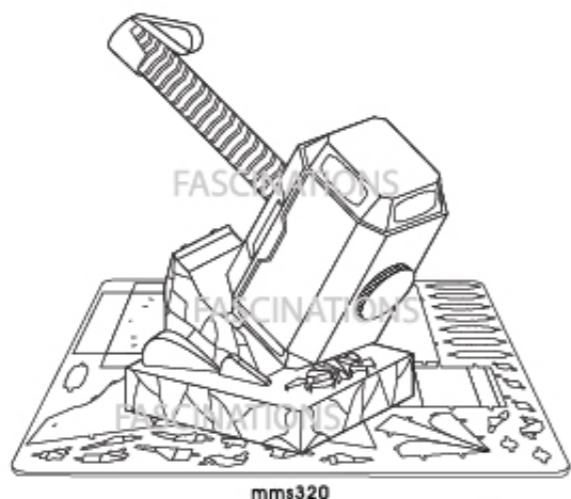


# METAL EARTH™ 3D LASER CUT MODELS



It is highly recommended that you visit [www.fascinations.com/metalearth360/mms320](http://www.fascinations.com/metalearth360/mms320) to see the completed model before assembling your own

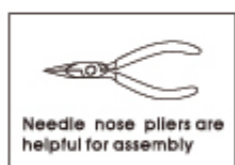


mms320

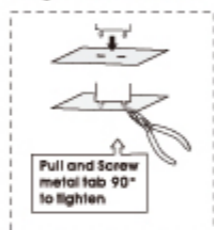
### To create the best connections

● Insert tab and bend 90 degrees for most visible areas

▲ Insert tab and twist 90 degrees is best in some areas to ensure a tight connection



Needle nose pliers are helpful for assembly

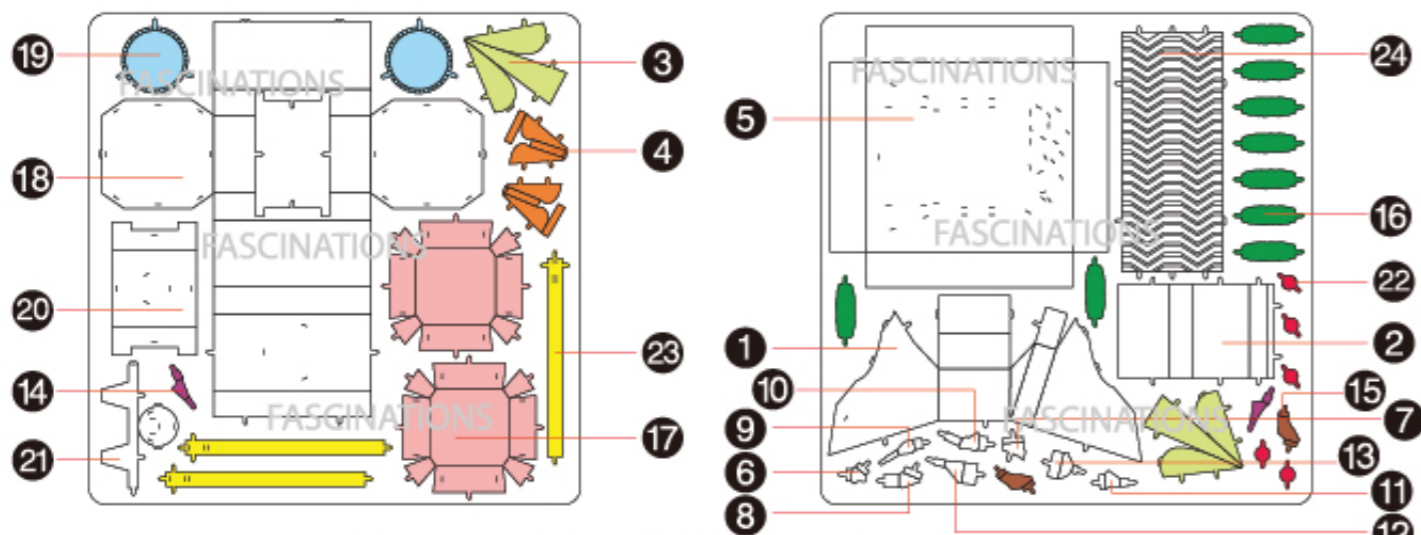


Pull and Screw metal tab 90° to tighten



Insertion tabs are inserted and then folded  
Insertion holes  
Fold lines can be seen as shown here

### Metal sheets



**!** In order to avoid possible injury from sharp edges, please carefully discard the metal sheet after parts have been removed

### Assembly Flow Chart

