

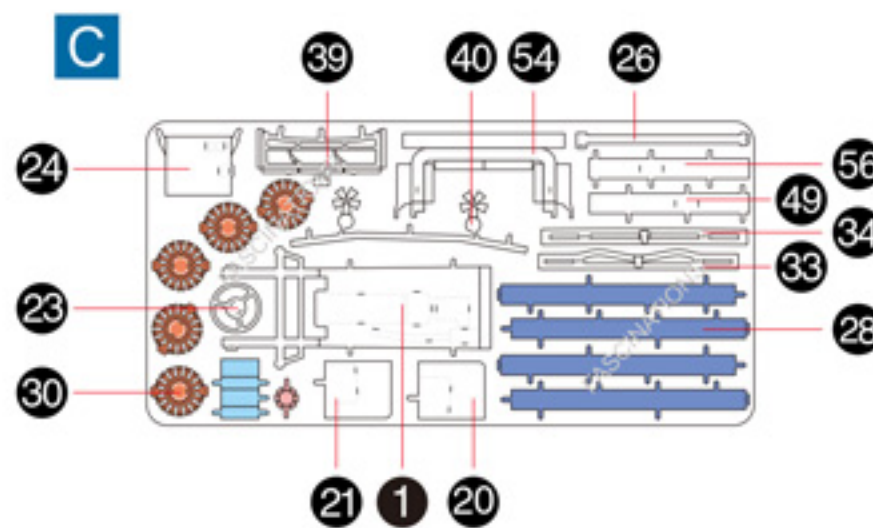
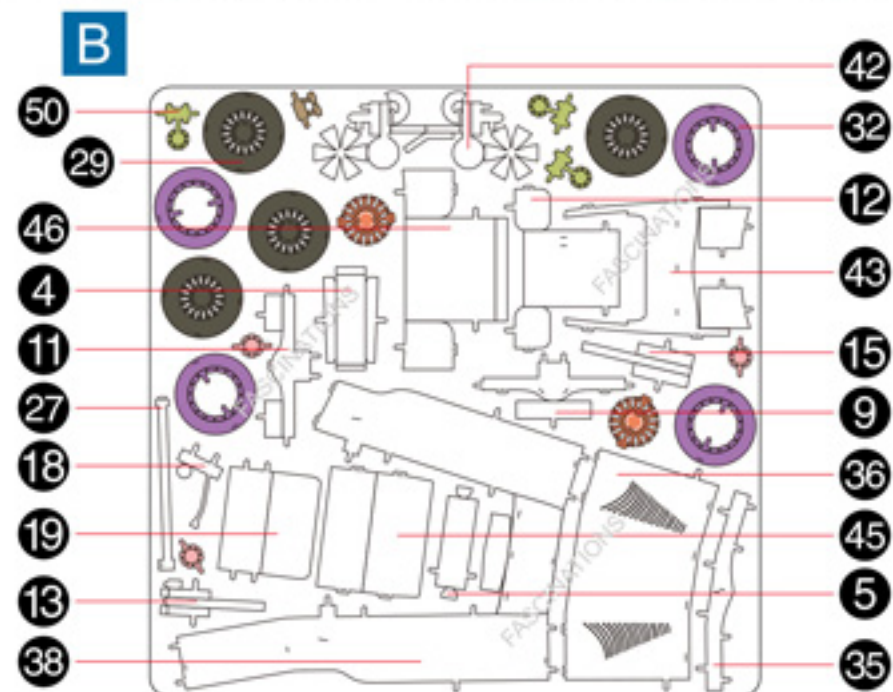
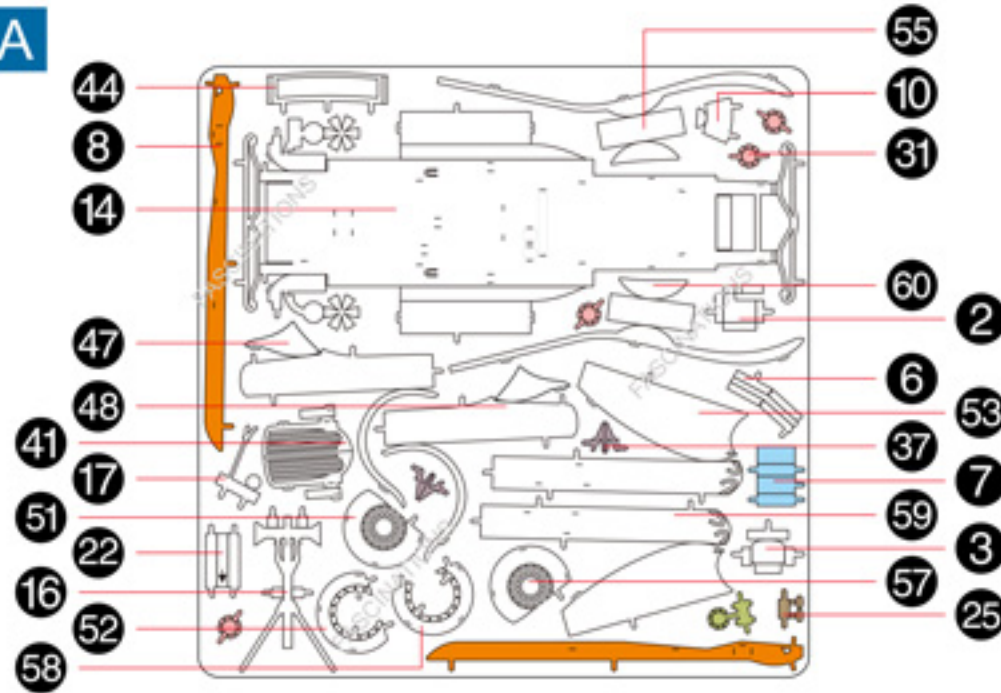
1935 Duesenberg Model J
Item No. MMS 200



It is highly recommended that you visit www.metalearth.com/360/mms200 to see the completed model before assembling your own

Metal sheets **A**

Parts that are in the same color are duplicates



In order to avoid possible injury from sharp edges, please carefully discard the metal sheets after parts have been removed

Legends:

- E Engraved / Color side
- NE Non-engraved / Silver side
- Attention point
- Insert tab and bend 90 degrees
- ▲ Insert tab and twist 90 degrees

Assembly tip:
If needed, slightly twist tabs to hold parts together then untwist and bend them down for a nice finish

Recommended tools:

- Wire cutters: helpful for taking parts from the metal sheets.
- Tweezers or needle nose pliers: helpful for folding parts, bending and twisting tabs.

Assembly Flow Chart

