

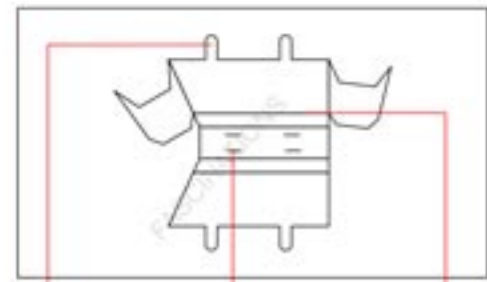
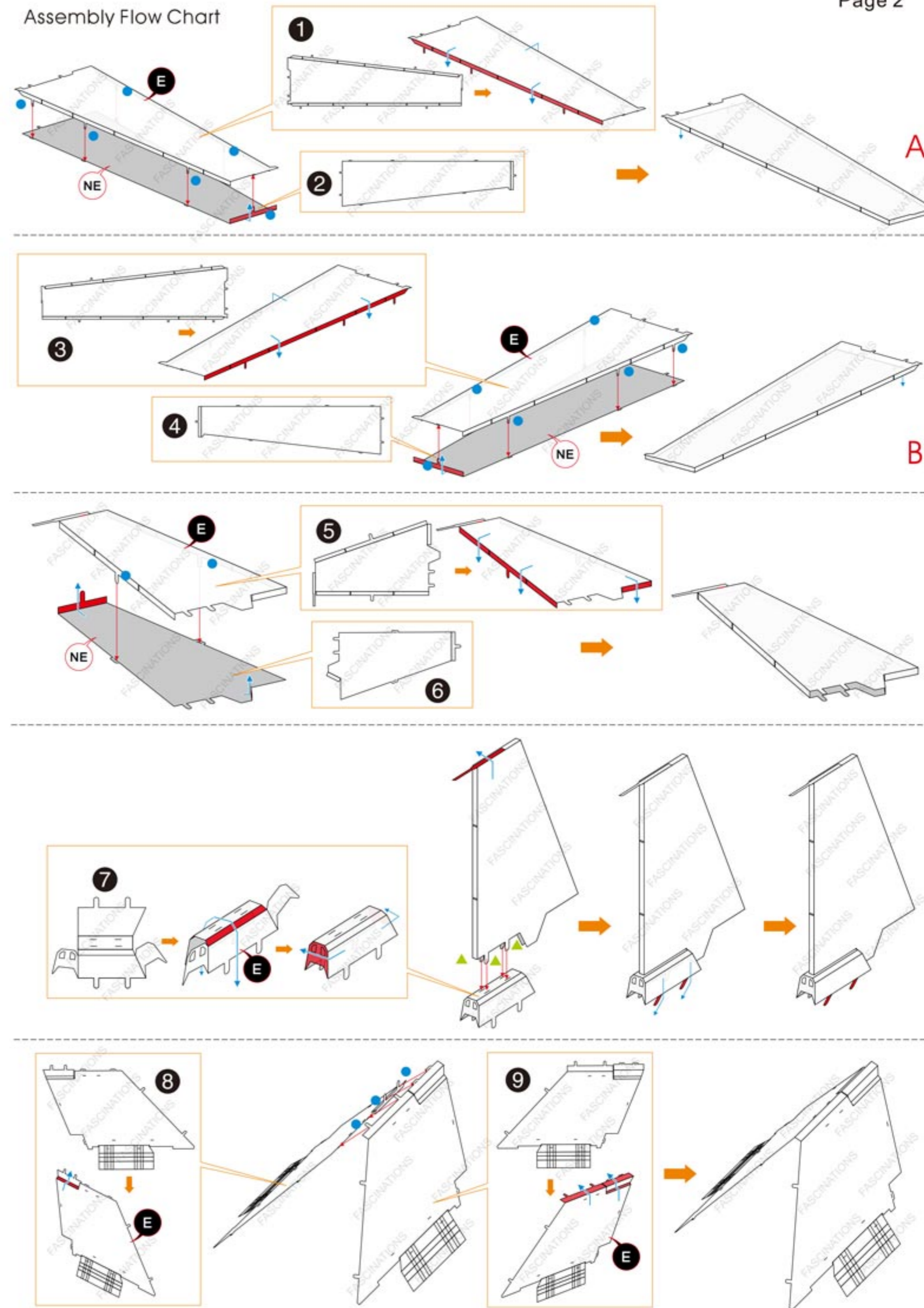
mms274

KRENNIC'S IMPERIAL SHUTTLE™

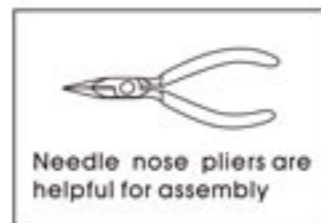


It is highly recommended that you visit www.fascinations.com/metalearth360/mms274 to see the completed model before assembling your own

Assembly Flow Chart



Insertion tabs are inserted and then folded
Insertion holes
Fold lines can be seen as shown here



Needle nose pliers are helpful for assembly

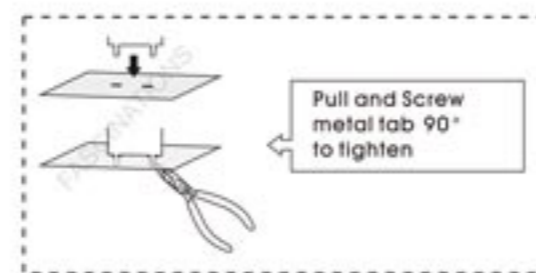
Legends:

- E** Engraved side
Color side
- NE** Non-engraved side
Non-color side
- Attention point

To create the best connections

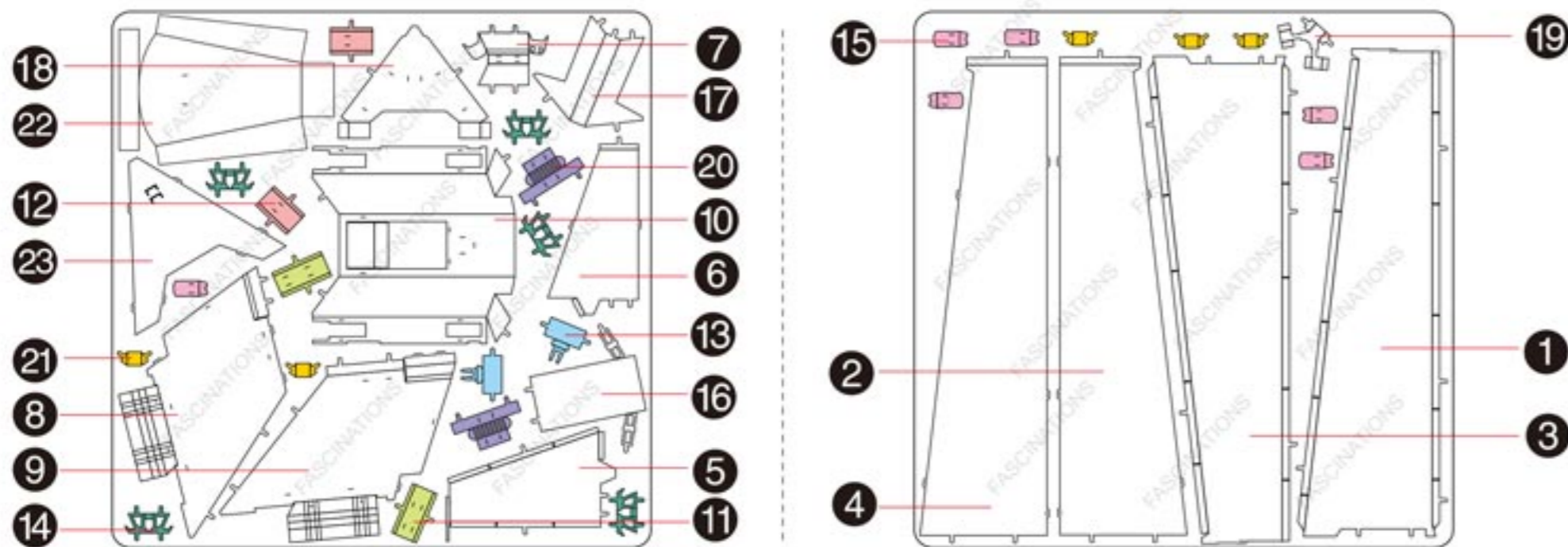
Insert tab and bend 90 degrees for most visible areas

Insert tab and twist 90 degrees is best in some areas to ensure a tight connection



Pull and Screw metal tab 90° to tighten

Metal sheets



In order to avoid possible injury from sharp edges, please carefully discard the metal sheet after parts have been removed

