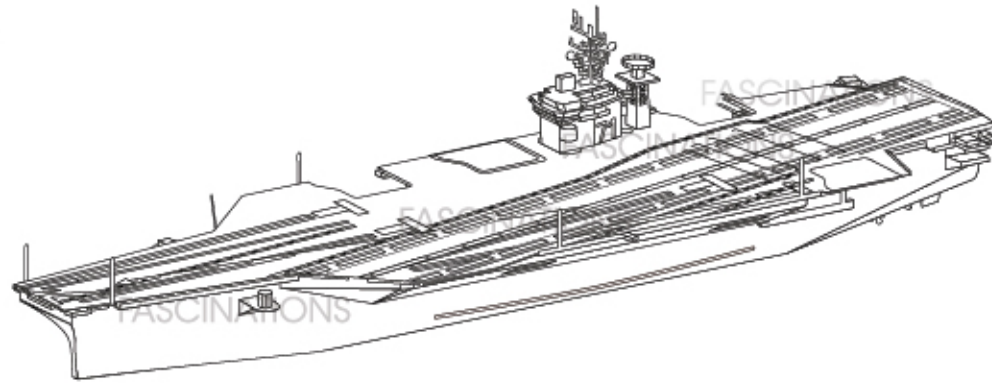




It is highly recommended that you visit www.fascinations.com/iconx360/icx022 to see the completed model before assembling your own

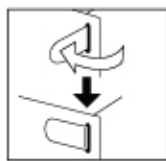
FASCINATIONS, INC.
Seattle, Washington, USA

ICX022

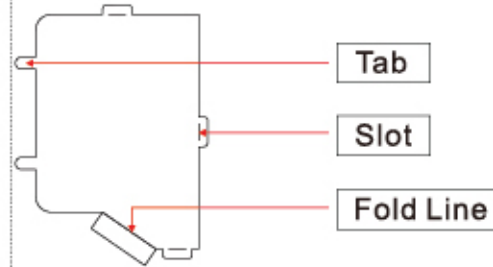
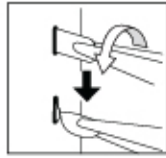


TO CREATE THE BEST CONNECTIONS

● Insert tab into slot and bend 90 degrees

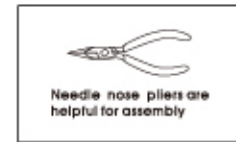


▲ Insert tab into slot and twist 90 degrees

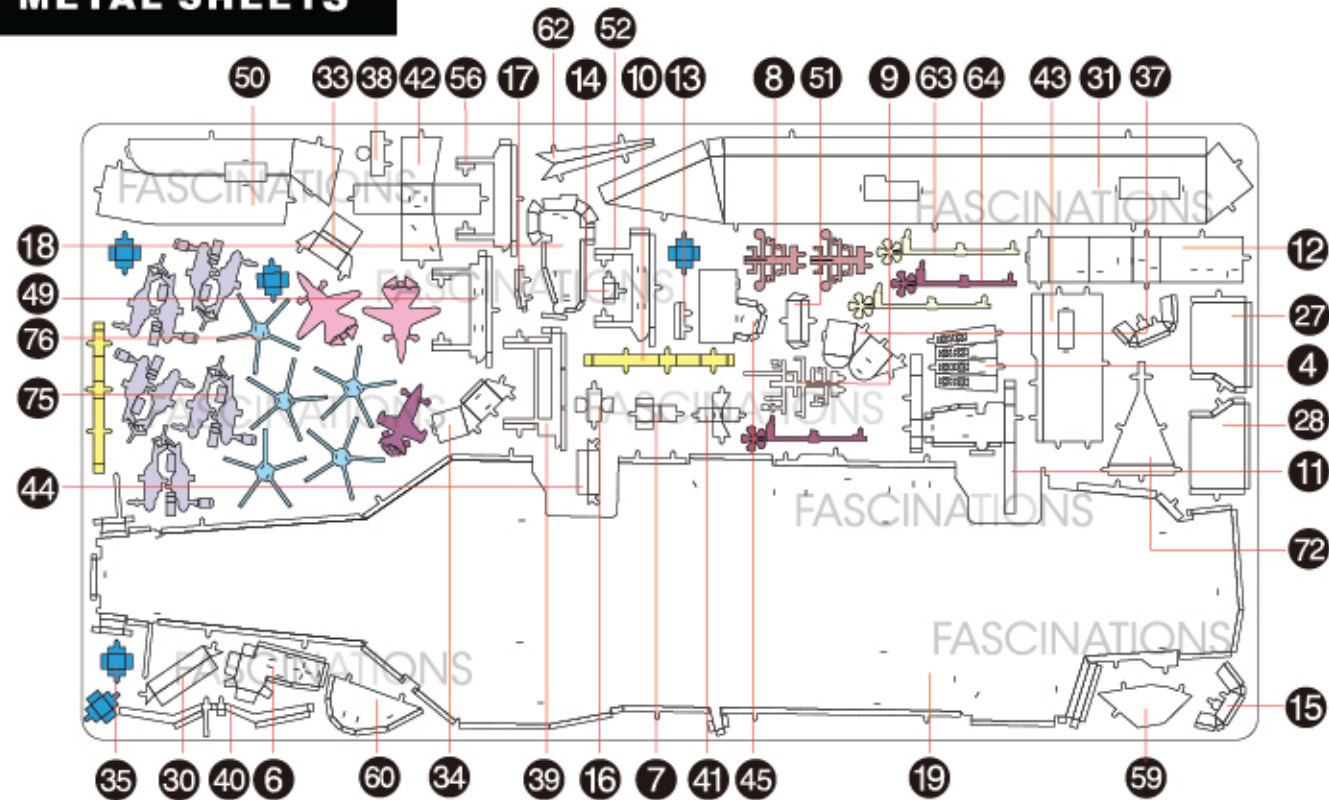


Legends:

- E** Engraved side
- NE** Non-engraved side
- Attention point



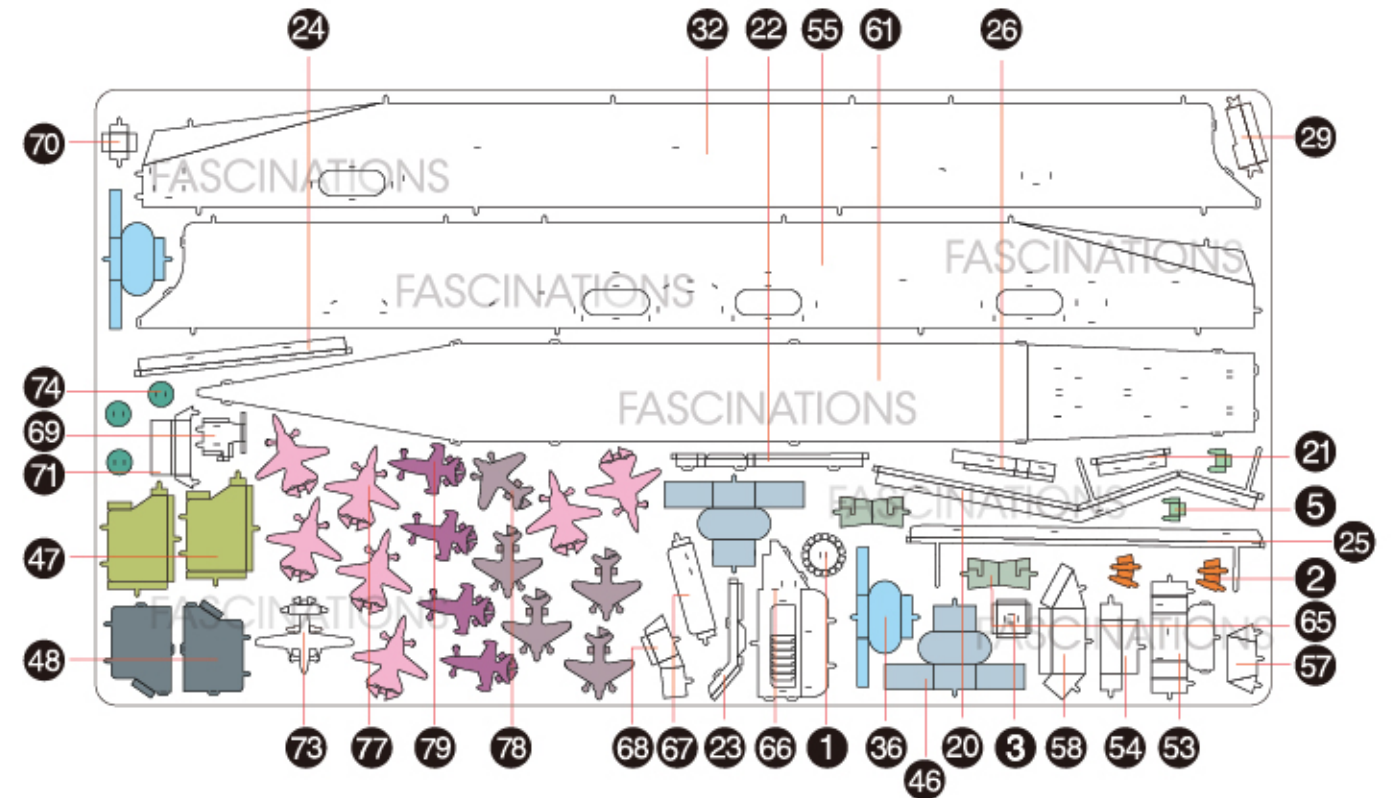
METAL SHEETS



In order to avoid possible injury from sharp edges, please carefully discard the metal sheet after parts have been removed.

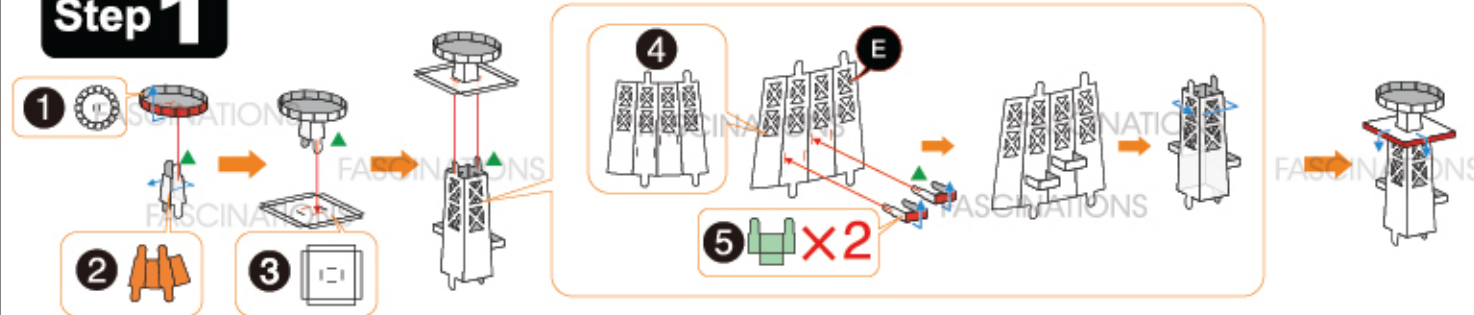


Go to www.fascinations.com/iconx360/icx022 to see the zoomable PDF version of this instruction sheet

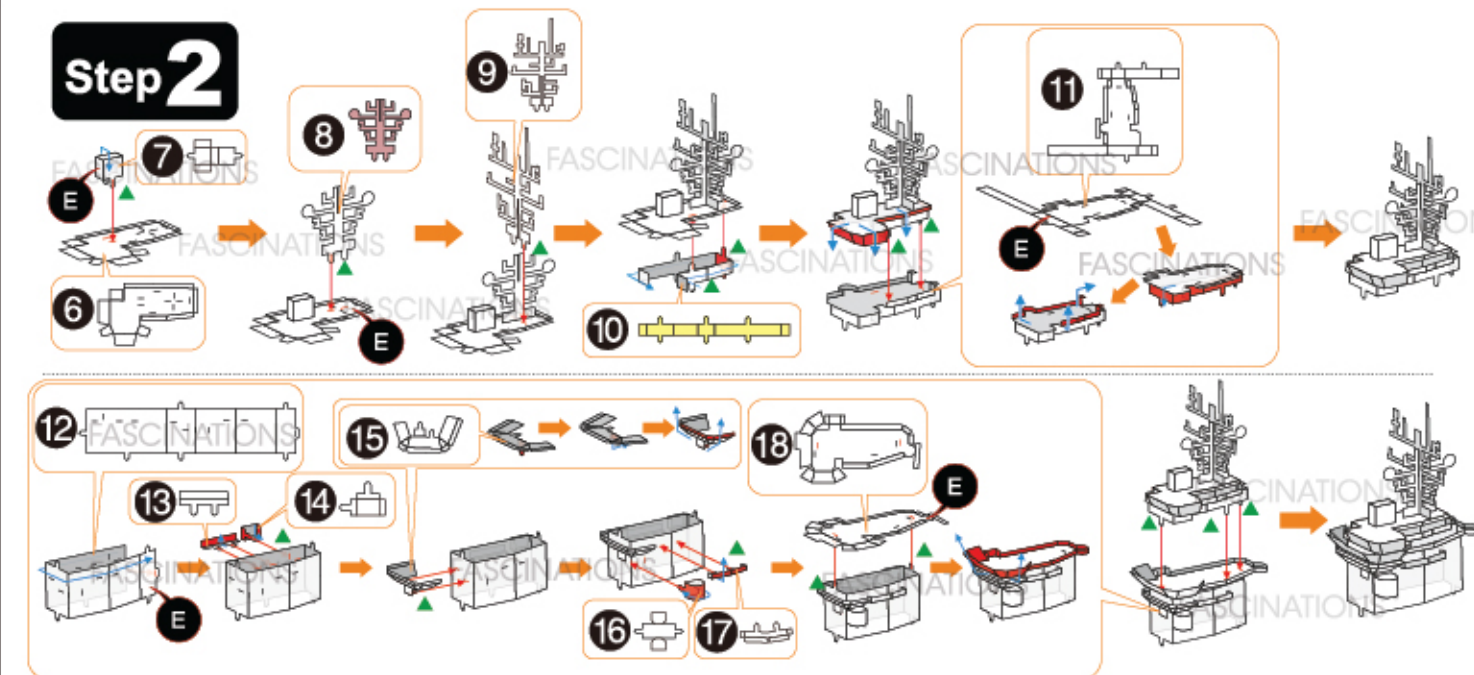


ASSEMBLY STEPS

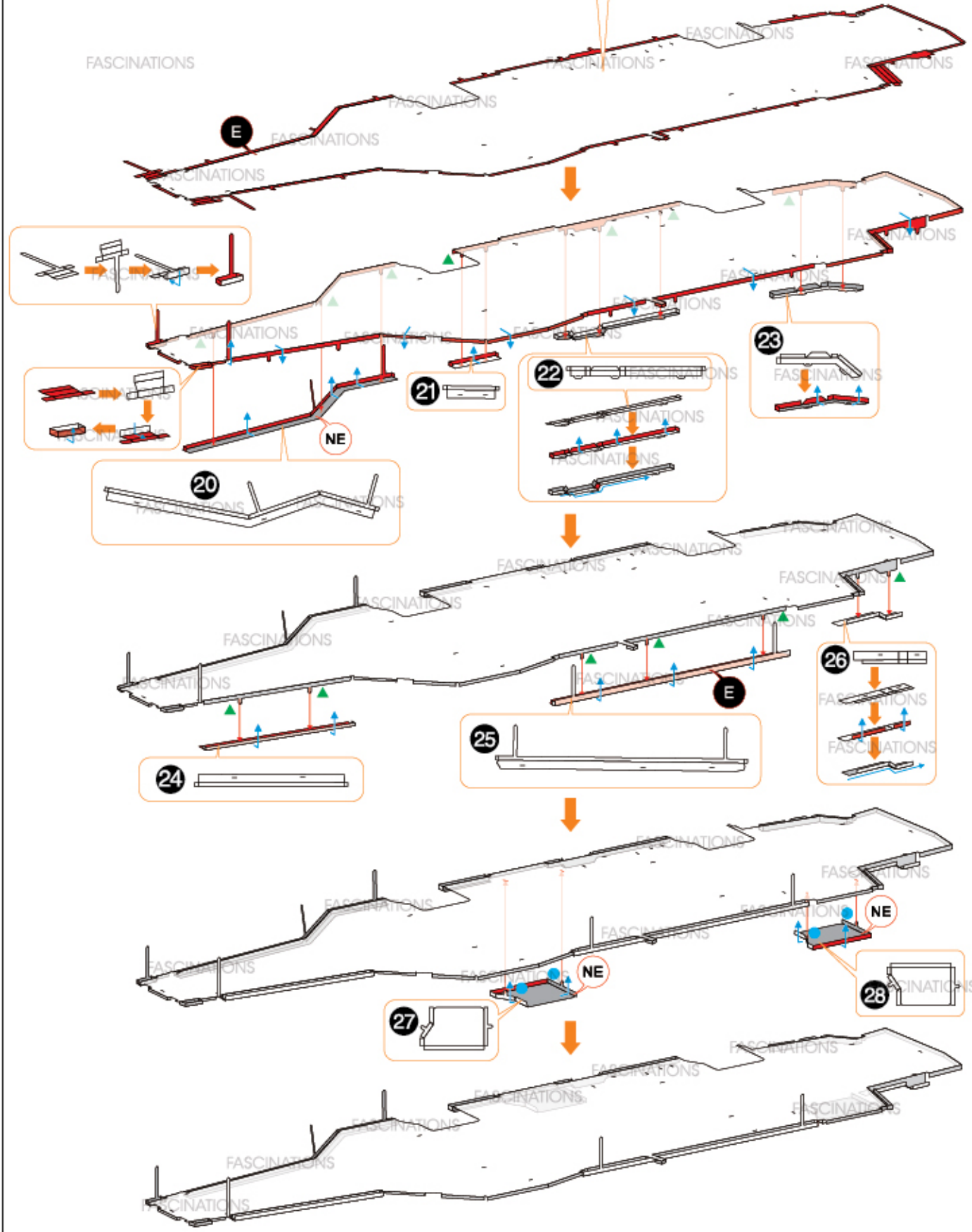
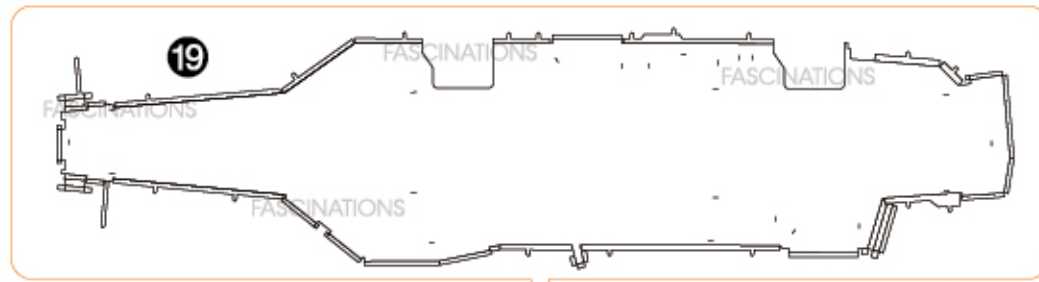
Step 1



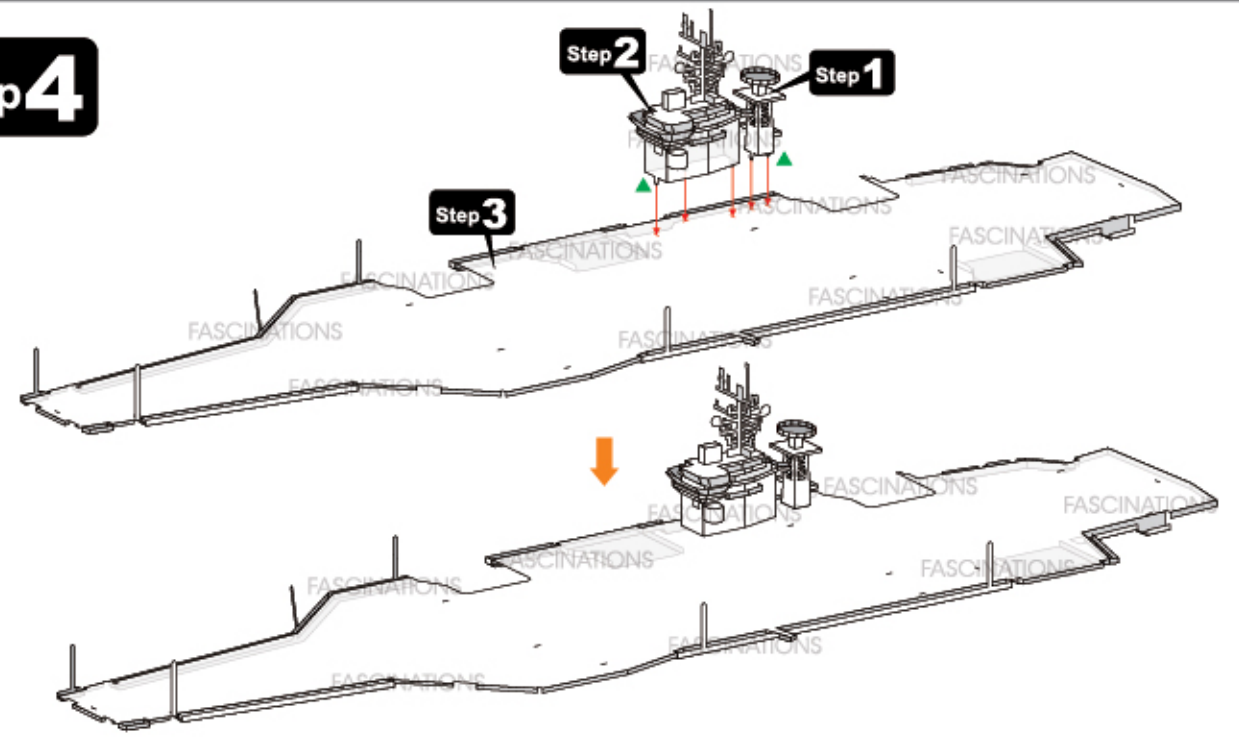
Step 2



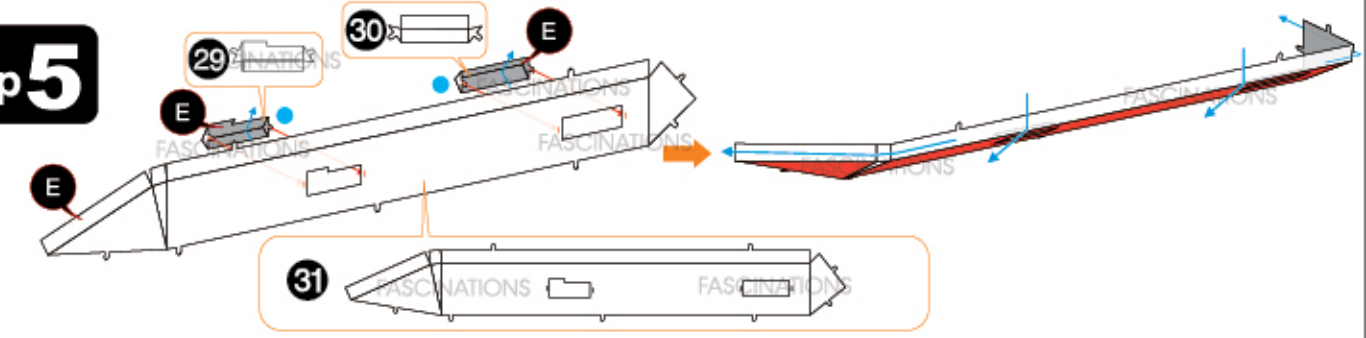
Step 3



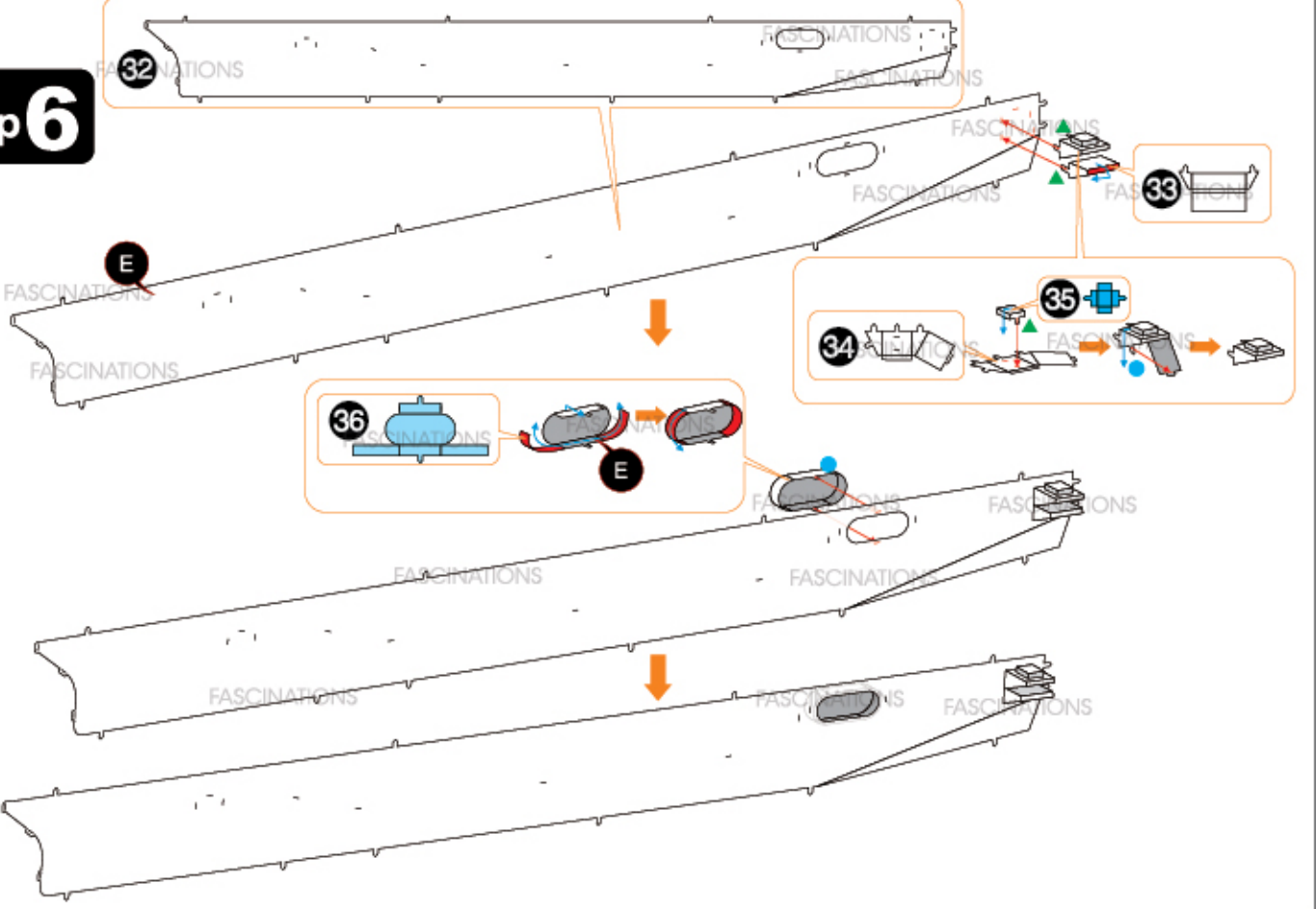
Step 4



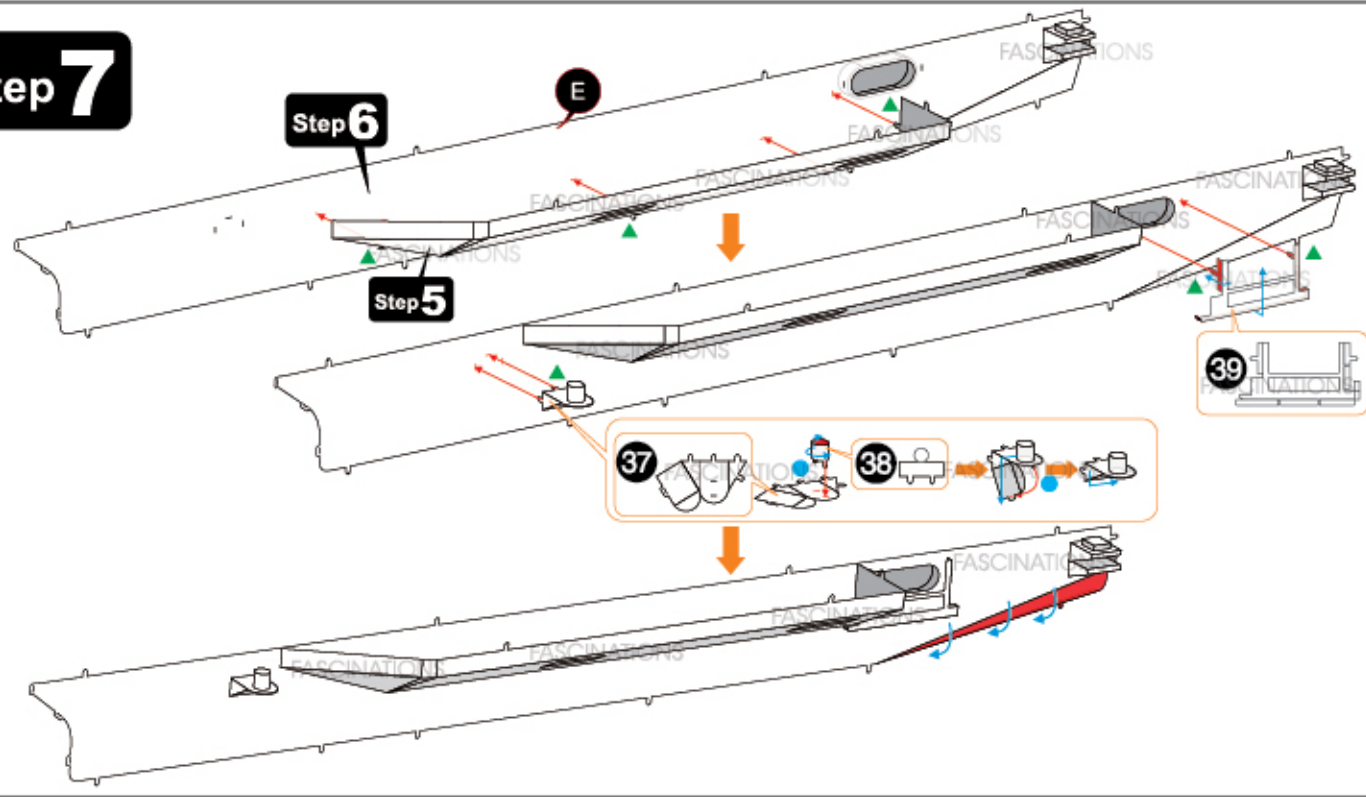
Step 5



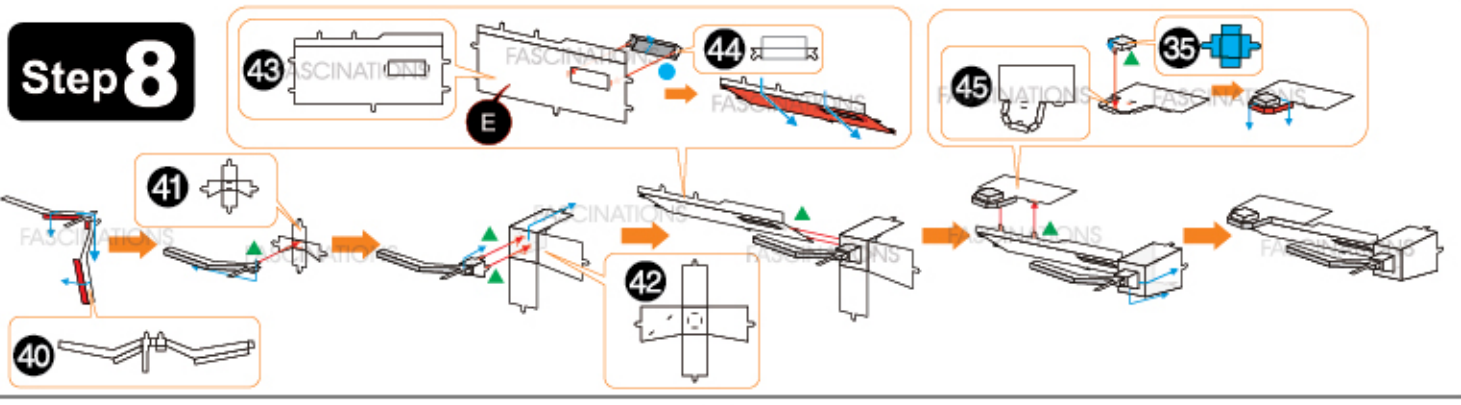
Step 6



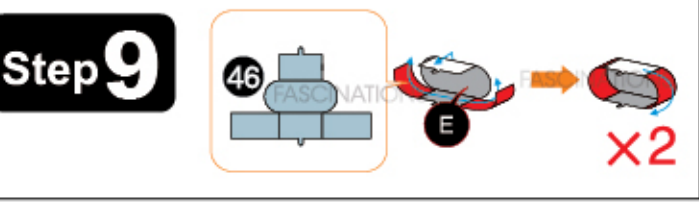
Step 7



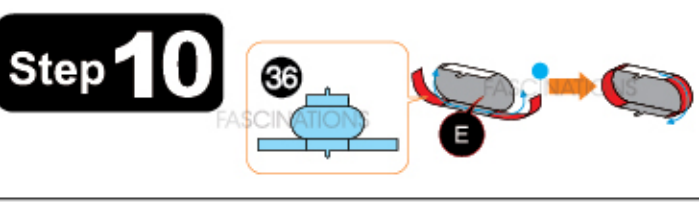
Step 8



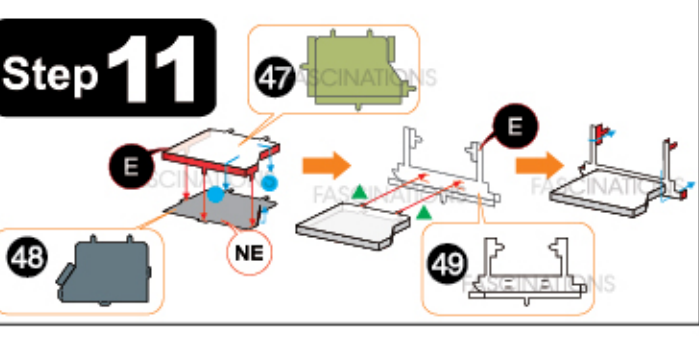
Step 9



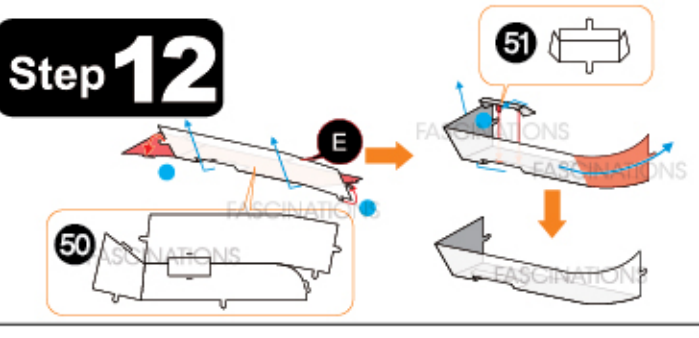
Step 10



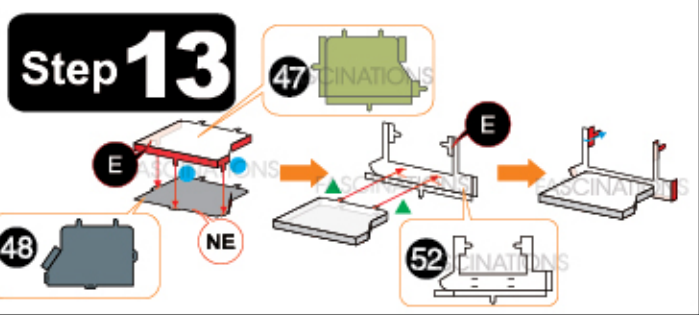
Step 11



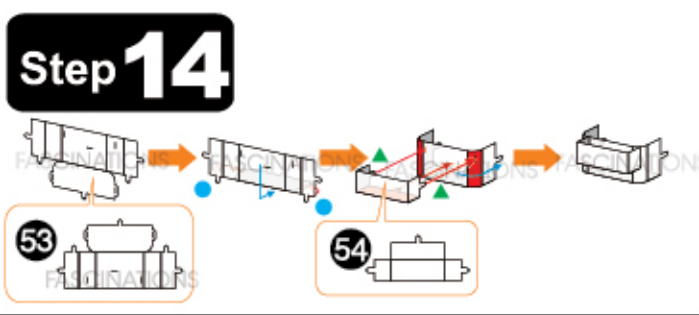
Step 12



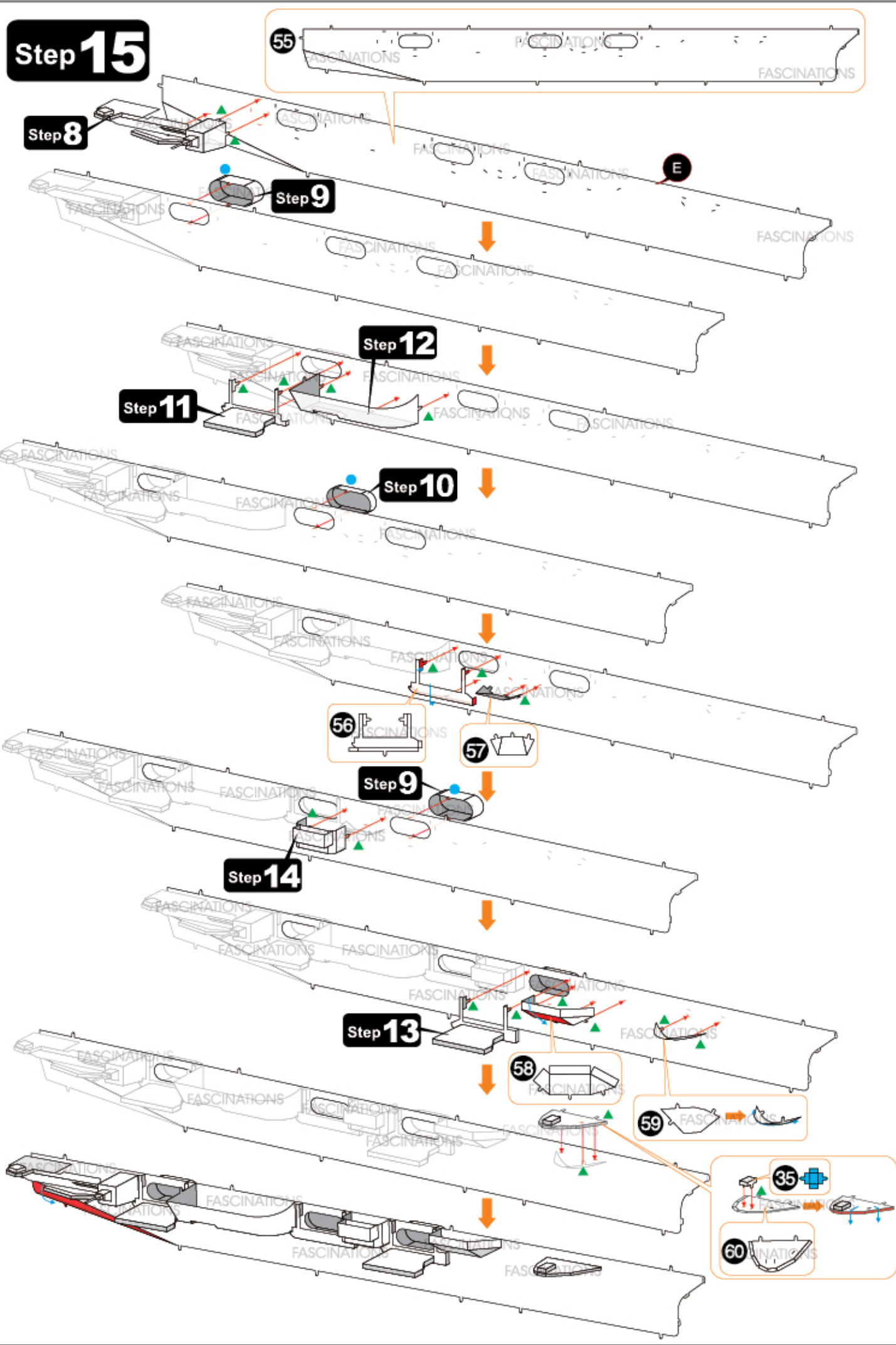
Step 13



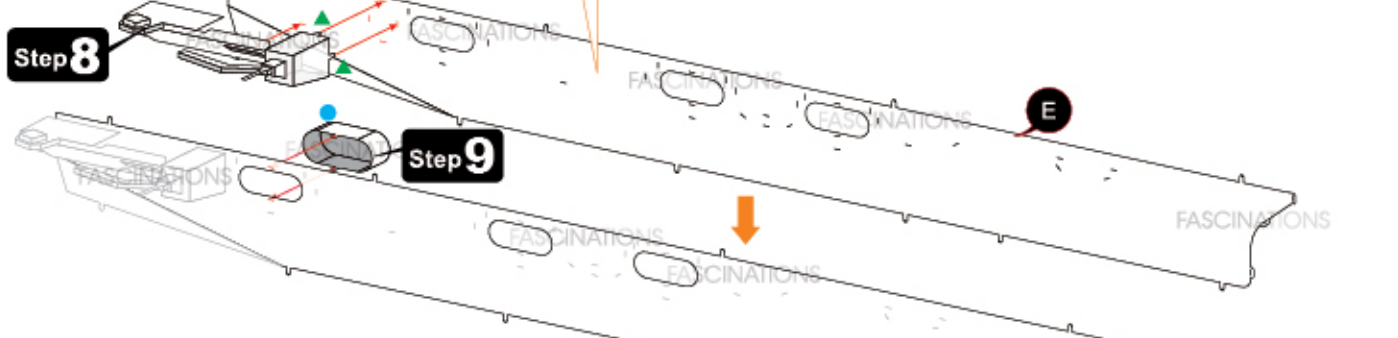
Step 14



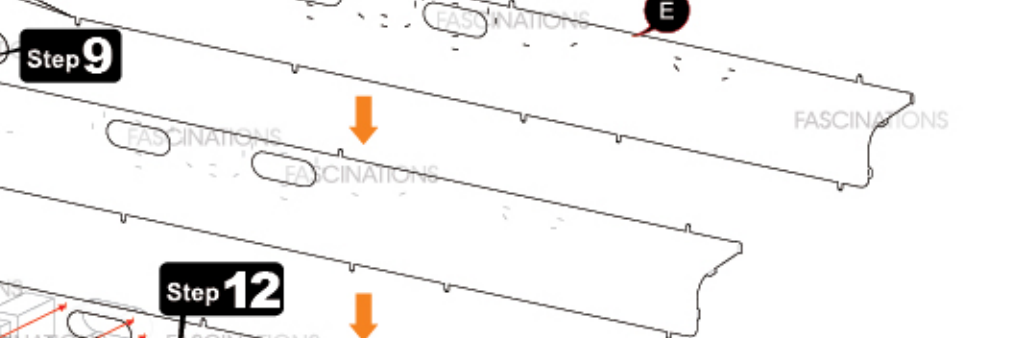
Step 15



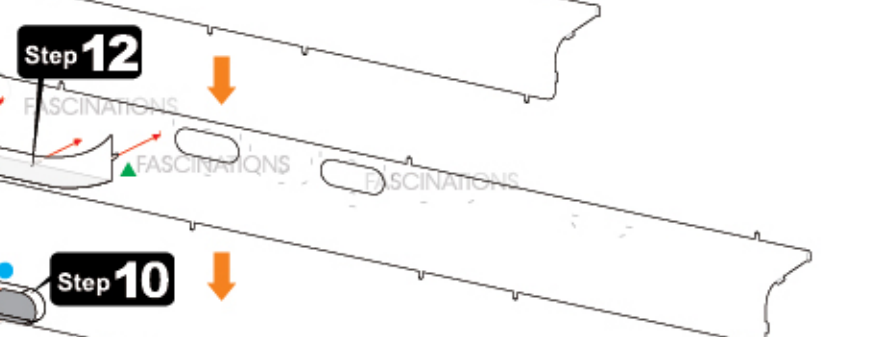
Step 8



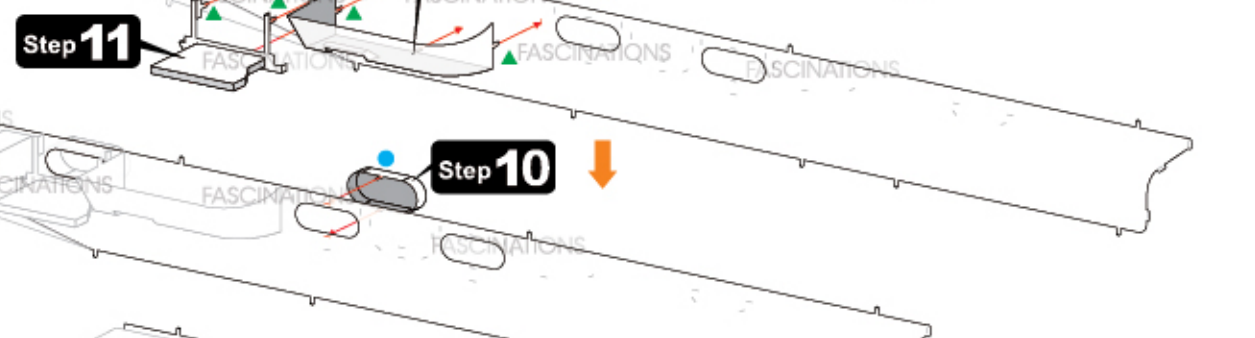
Step 9



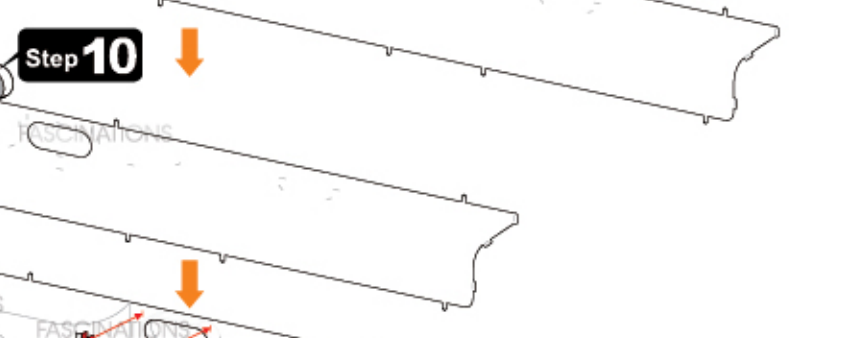
Step 12



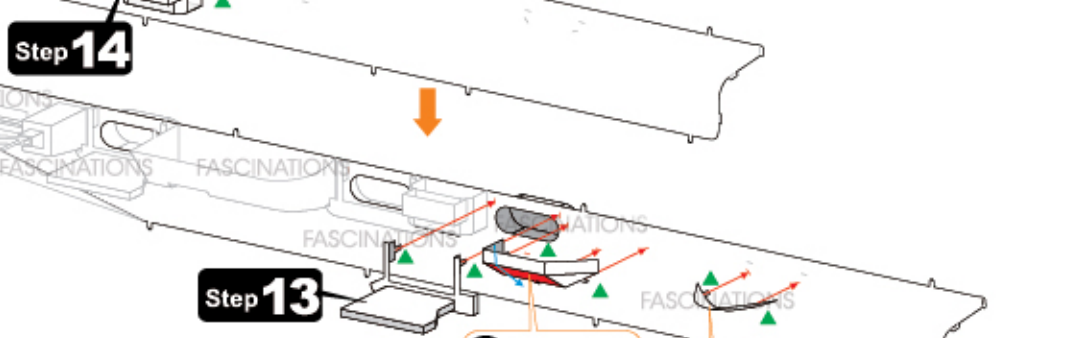
Step 11



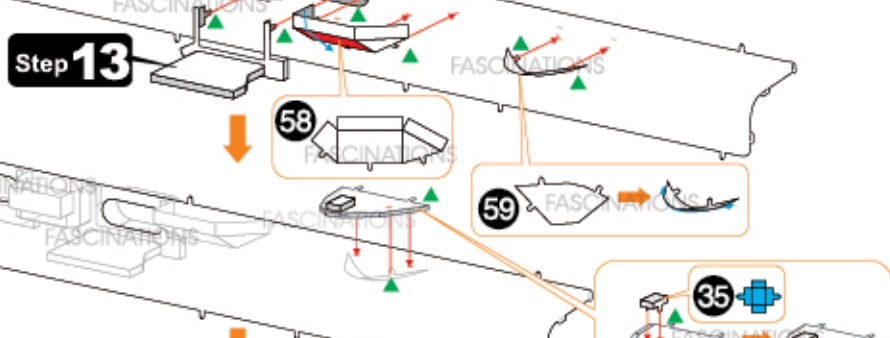
Step 10



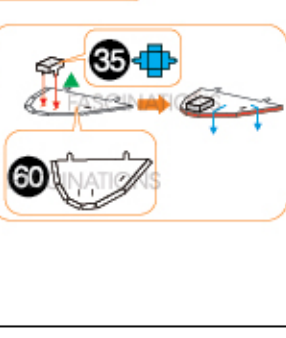
Step 14



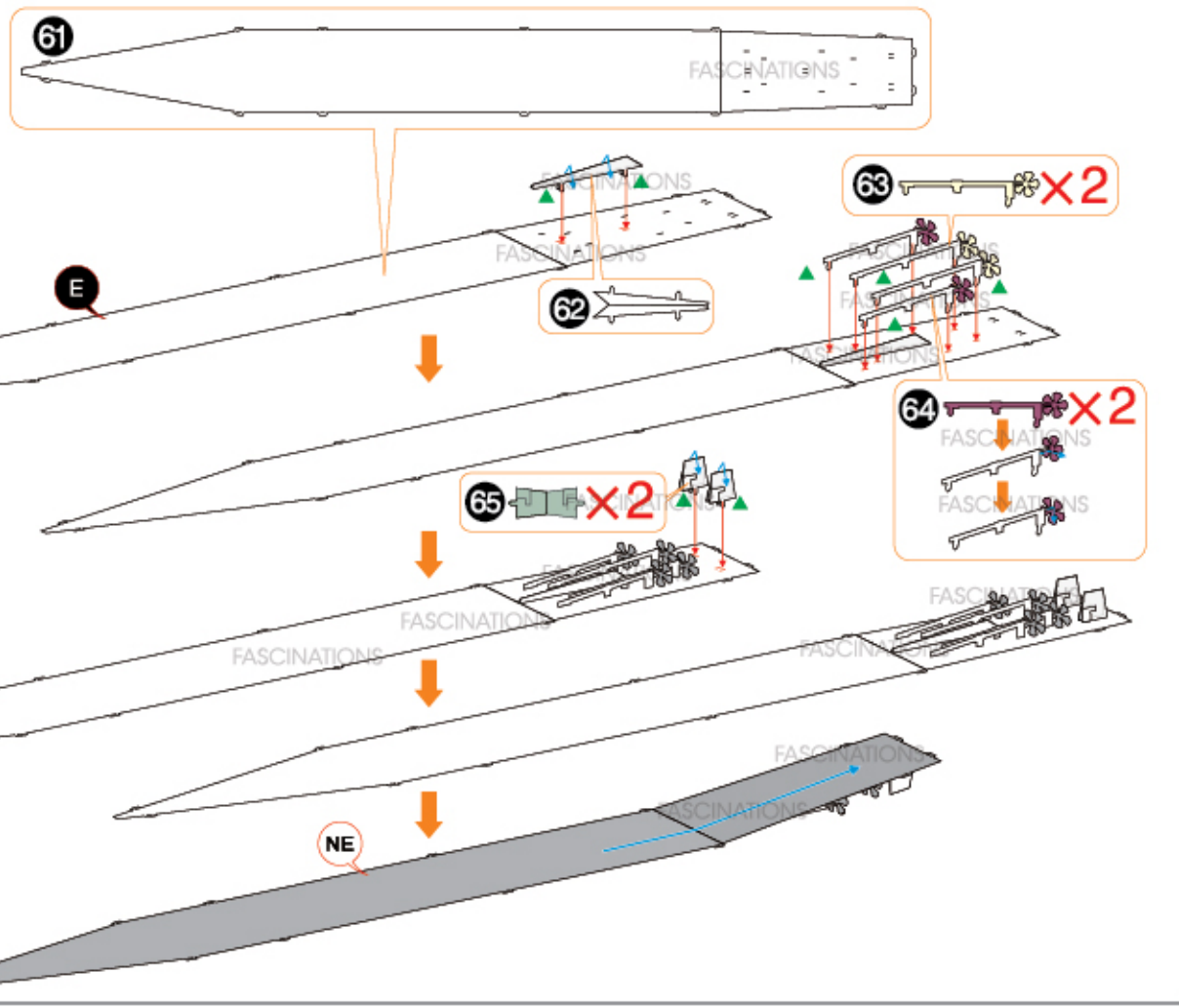
Step 13



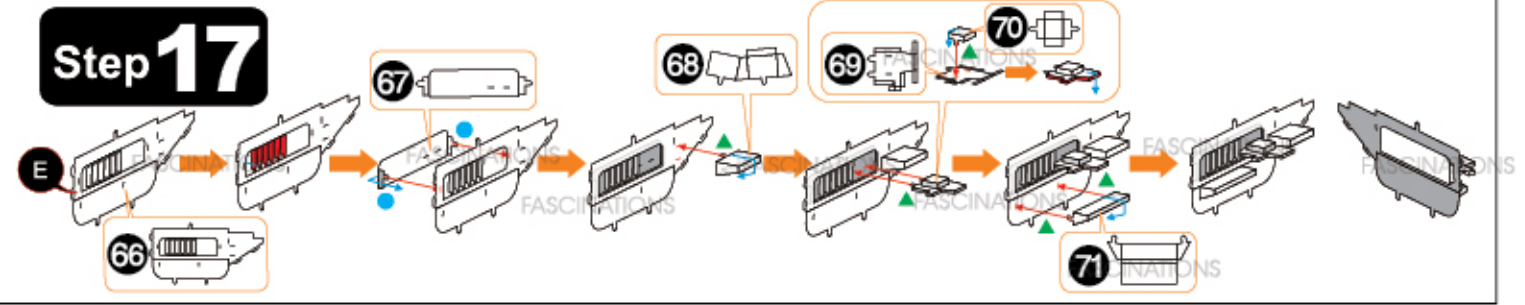
Step 9



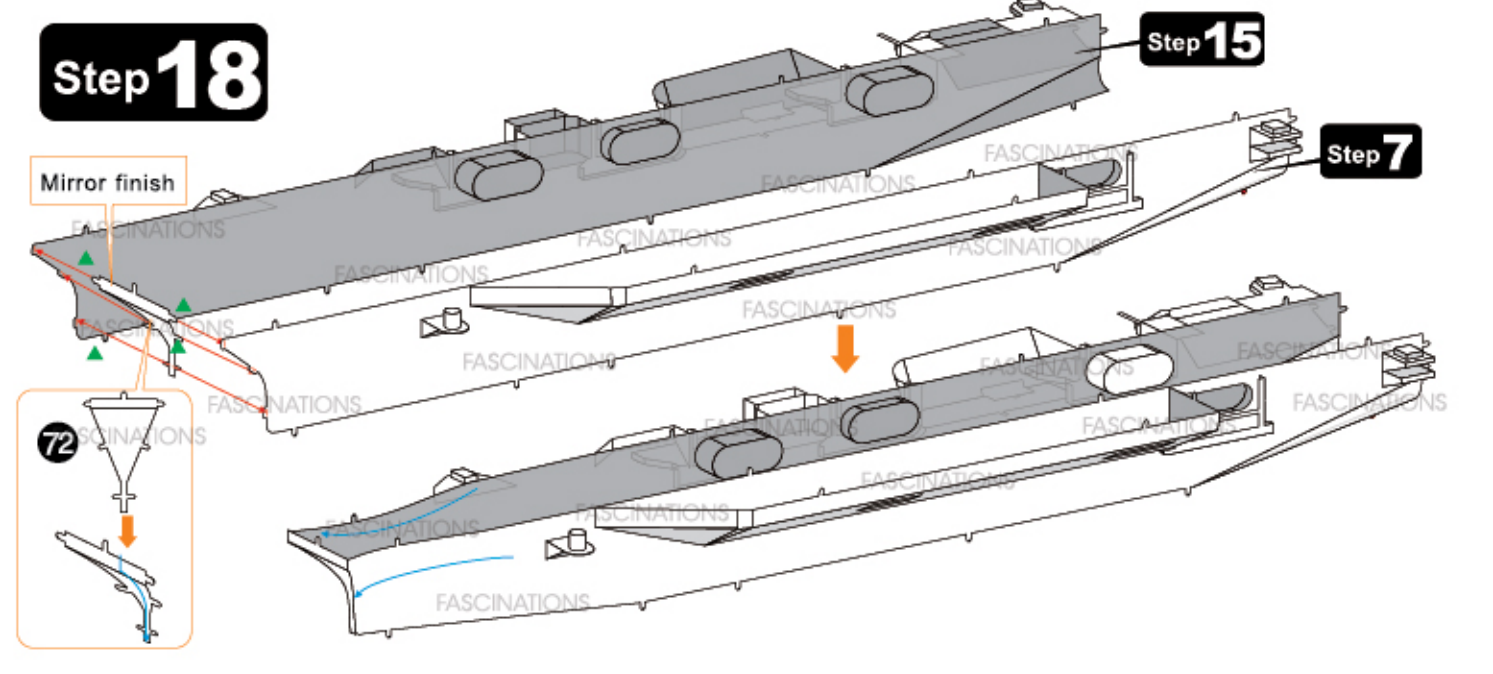
Step 16



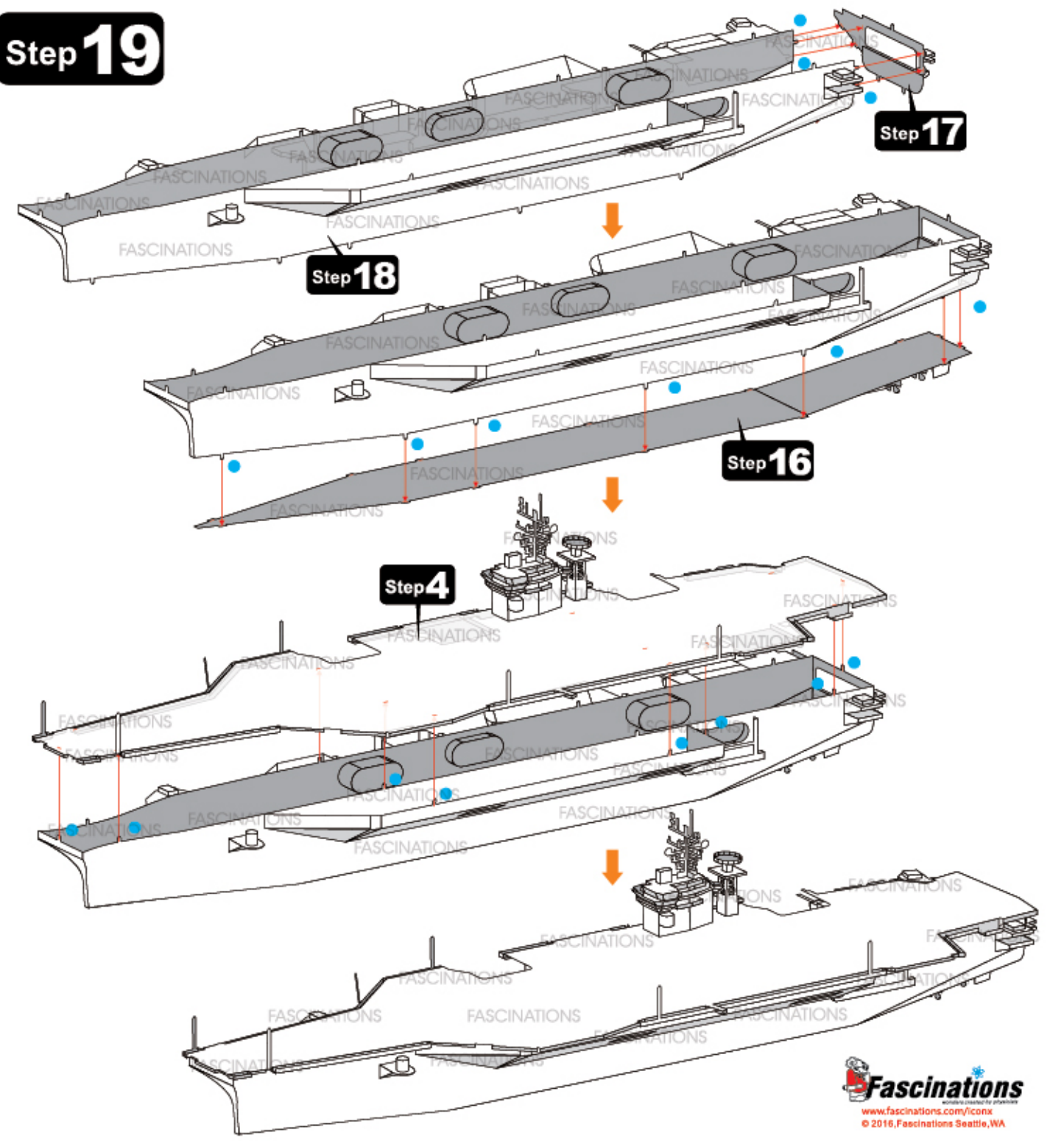
Step 17



Step 18



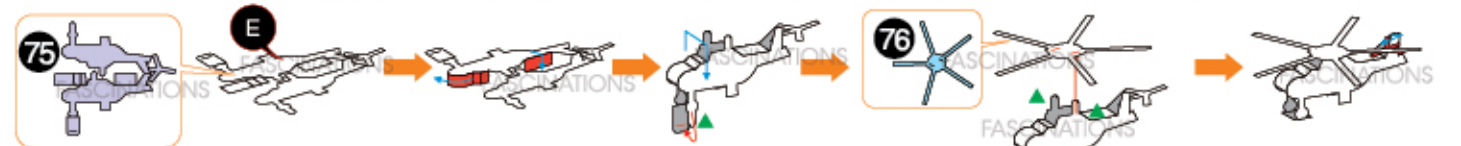
Step 19



73



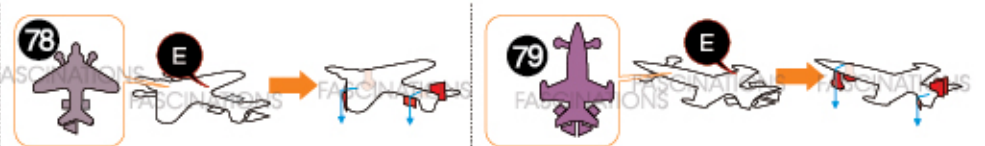
75



77



78



79

